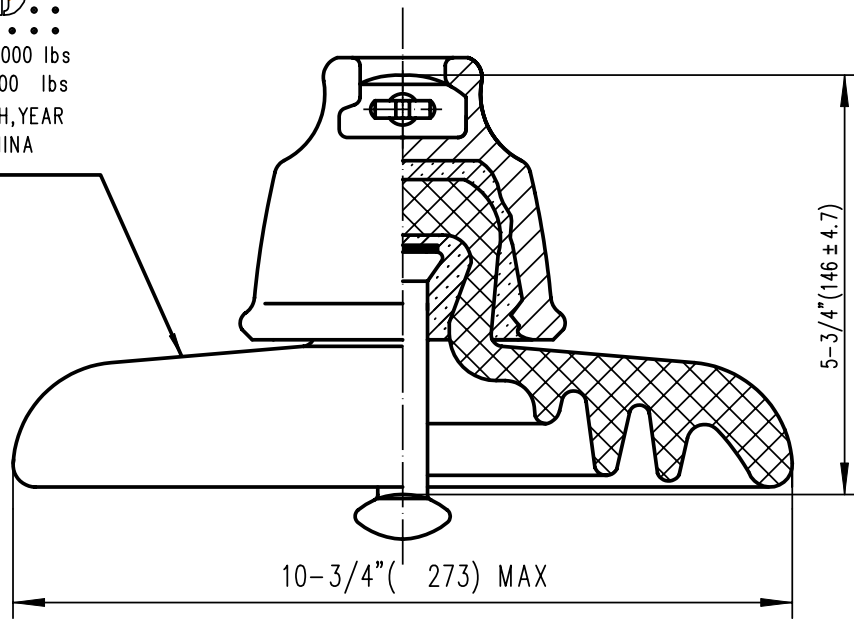




M&E 15000 lbs
 TEST 7500 lbs
 MONTH, YEAR
 CHINA



11-1/2" (292 mm) Min.
 15000lbs (67kN)
 55 Inch-Pounds (6.0 N-m)
 7500lbs (33.5kN)
 80kV
 50kV
 125kV
 130kV
 110kV
 50microvolts

Notes:

1. Creepage Distance
2. Combined M & E Strength
3. Mechanical impact Strength
4. Tension Proof
5. Low-Frequency Flashover Voltage (Dry)
6. Low-Frequency Flashover Voltage (Wet)
7. Critical Impulse Flashover Voltage (Positive)
8. Critical Impulse Flashover Voltage (Negative)
9. Low-Frequency Puncture Voltage
10. Low-Frequency Test Voltage at 10kV, MAX 1000kHz
11. Color: Grey
12. Applicable Standard ANSI C29.2-1992.

General Tolerance			DP 52-3 BALL & SOCKET TRANSMISSION INSULATOR (ANSI 52-3)				
<30	± 1.5	ANGLE: ±					
>30	± 5%						
Drawn	DAVID SHAO	November 16, 2005	DULHUNTY POWER	Mass		Scale	N/S
Checked				A4-6082	REV	A	
Approved							