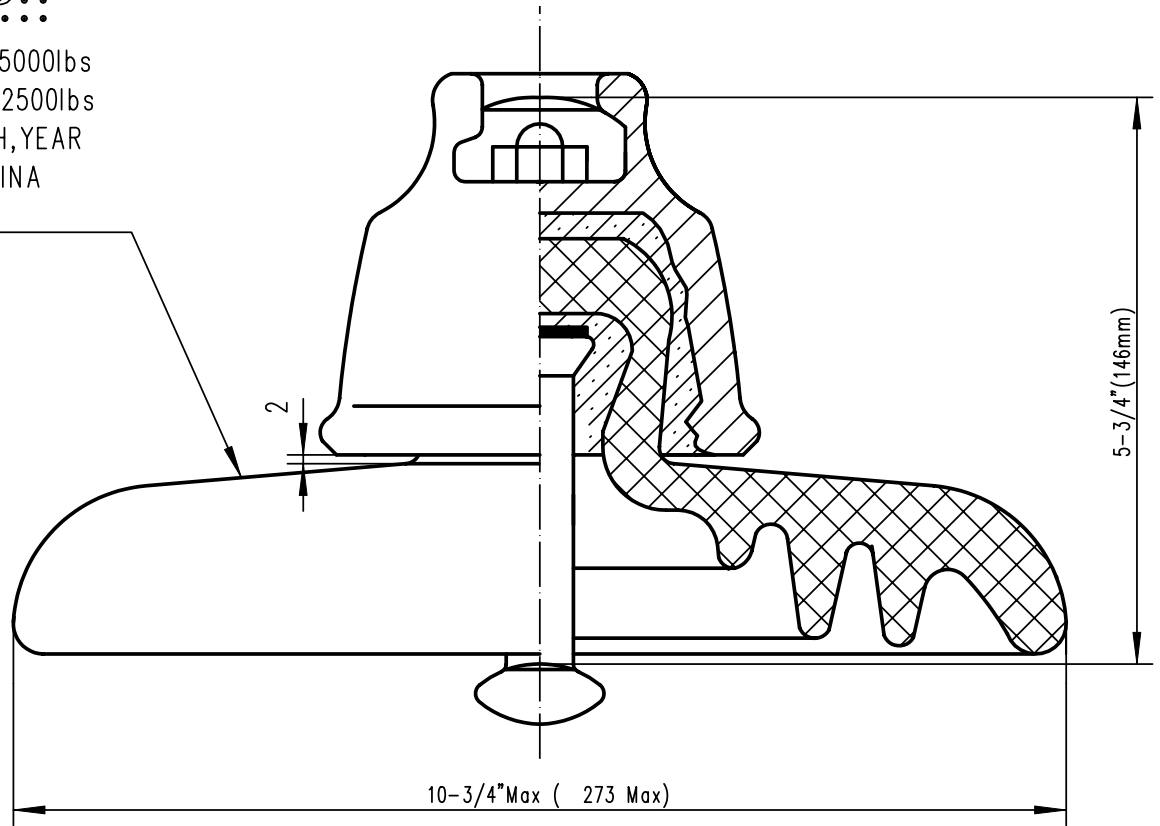




M&E 25000lbs
 TEST 12500lbs
 MONTH, YEAR
 CHINA



Notes:

1. Combined M & E Strength
2. Mechanical Impact Strength
3. Tension Proof
4. Minmum Creepage Distance
5. Low-frequency Dry Flashover Voltage
6. Low-frequency Wet Flashover Voltage
7. Impulse Flashover Withstand Voltage(Positive)
8. Impulse Flashover Withstand Voltage(Negative)
9. Power Frequency Puncture Voltage
10. Radio Influence Voltage at 10kV
11. Color:Grey
12. Material: Porcelain
13. Applicable Standard ANSI C29.2-1992

25000lbs(111kN)
 60 Inch-Pounds,(7.0 N-m)
 12500lbs(56kN)
 11"(279mm)
 80kV
 50kV
 125kV
 130kV
 110kV
 50 microvolts MAX

General Tolerance			DP52-5 TRANSMISSION INSULATOR (ANSI52-5)				
<30	± 1.5	ANGLE: ±					
>30	± 5%						
X, XX	±						
Drawn	David Shao	Feb.16,06	DULHUNTY POWER	Mass		Scale	N/S
Checked				A4-6101	REV	A	
Approved							