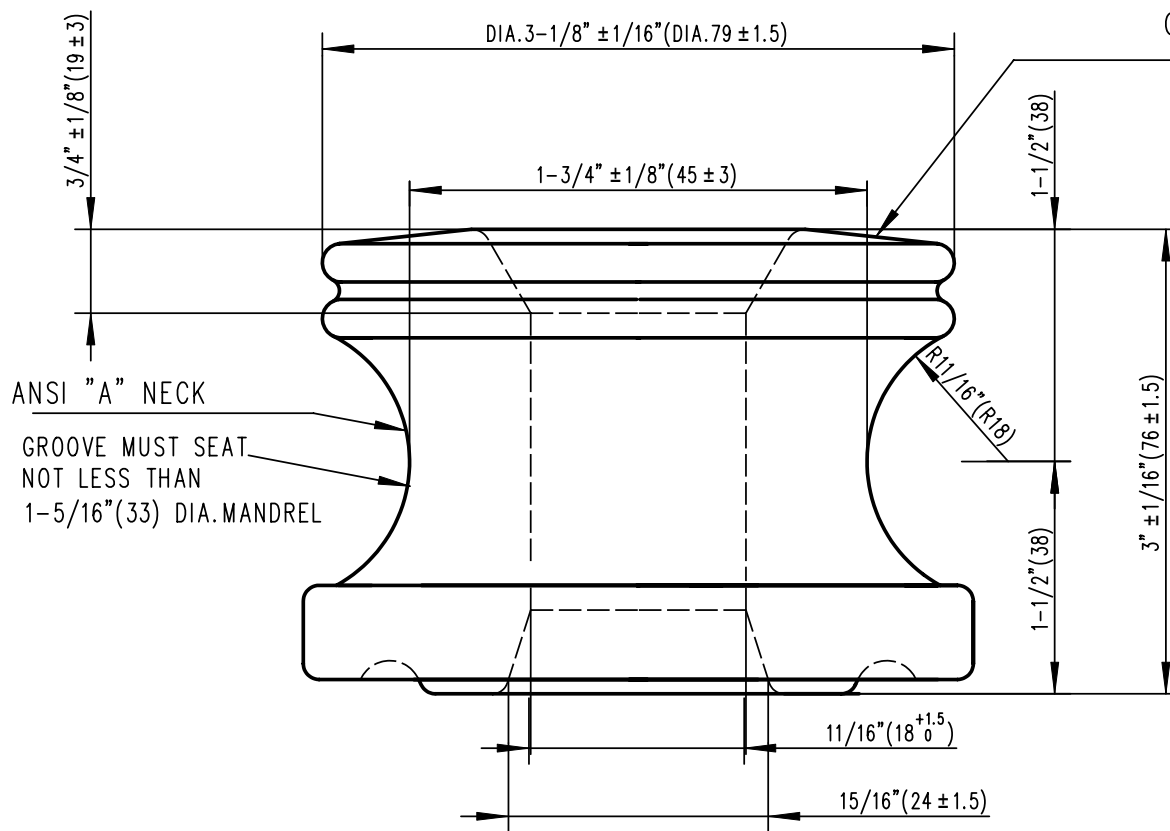


MONTH, YEAR  
CHINA



NOTE:

1. Transverse Strength 3000lbs(13.3kN)
2. Low Frequency Flashover (Dry) 25kV
3. Vertical Low Frequency Flashover (Wet) 12kV
4. Horizontal Low Frequency Flashover (Wet) 15kV
5. Color: Grey
6. Applicable Standard ANSI C29.3-1986.

General Tolerance			<b>DP 53-2</b> <b>SPOOL INSULATOR</b> <b>(ANSI 53-2)</b>				
<30 mm	±1.5 mm	ANGLE:		Mass	0.5kg	Scale	N/S
>30 mm	±5%						
Drawn	David Shao	Feb.3,2005	<b>DULHUNTY POWER</b>		A4-8190	REV	B
Checked	Joe Yung	Feb.3,2005					
Approved							