

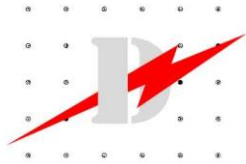
STRAIN AND SUSPENSION CLAMPS

INDEX

DULHUNTY POWER

STRAIN AND SUSPENSION CLAMPS SECTION D

Aluminium Suspension Clamps	Type ASC.....	Page D-2
Aluminium Pivot Suspension Clamps	Type PSC.....	Page D-3
Aluminium Pivot Support Clamps	Type TSC.....	Page D-4
Helixon Suspension Clamps	Type HSC.....	Page D-5
Cast Iron Suspension Clamps	Type DSC.....	Page D-6
Cast Iron Pivot Support Clamps	Type DTSC.....	Page D-7
Aluminium Strain Clamps	Type ATC.....	Page D-8
Cast Iron Strain Clamps	Type DTC.....	Page D-9



SUSPENSION AND STRAIN CLAMP

SECTION D

ALUMINIUM SUSPENSION CLAMPS

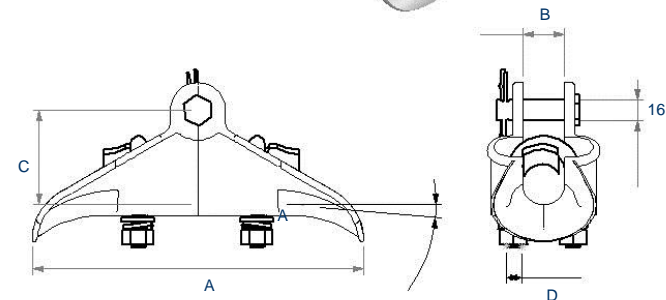
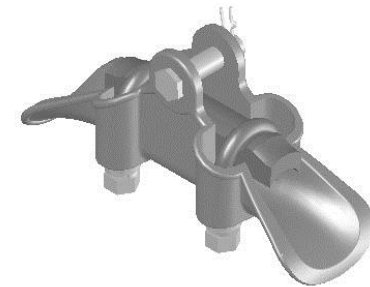
DULHUNTY POWER

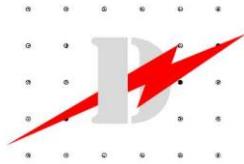
Catalogue Number	Clamp Range mm	Rated Strength kN	Dimensions, mm				Approx. Weight kg
			A	B	C	D Ø	
ASC-5085	5 ~ 8.5	36	178	17.5	54	12	1.2
ASC-71130	7.1 ~ 13.0	36	190	18	54	12	1.4
ASC-100210	10.0 ~ 21.0	70	200	24	70	12	1.5
ASC-178235	17.8 ~ 23.5	36	226	28	74	12	2.3
ASC-230320	23.0 ~ 32.0	60	262	35	71	12	3.1
ASC-250350	25.0 ~ 35.0	60	262	38	87	12	3.5
ASC-270390	27.0 ~ 39.0	70	230	40	54	12	3.9
ASC-280412	28.0 ~ 41.2	70	241	43	78	12	4.5
ASC-356518	35.6 ~ 51.8	70	300	54	95	16	4.8
ASC-445572	44.5 ~ 57.2	70	280	58.7	95	16	5.1

Dulhanty Power Aluminium Suspension Clamps are designed for use with AAC, AAAC and ACSR in suspension applications for deviation angles of up to 20 deg.

Material:

Body and Keeper - Aluminium alloy
 Hardware -Galvanized steel
 Split Pin - Stainless steel





SUSPENSION AND STRAIN CLAMP

SECTION D

ALUMINIUM PIVOT SUSPENSION CLAMPS

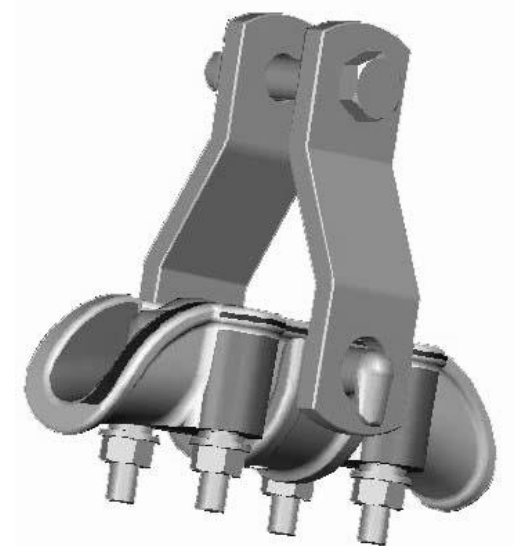
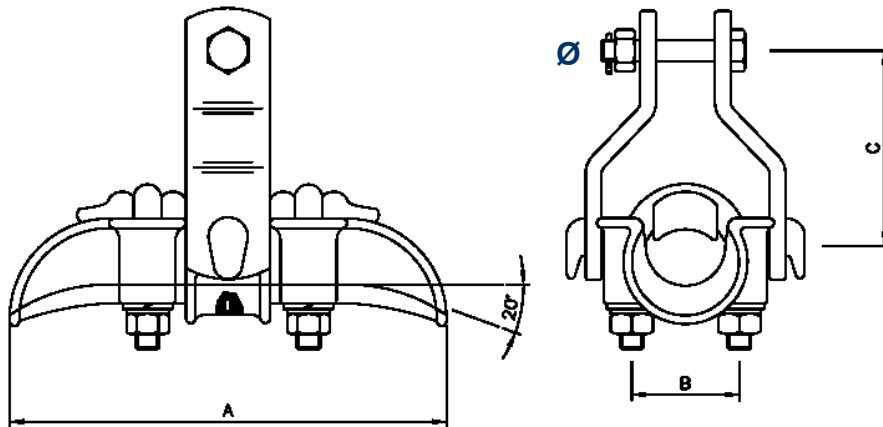
DULHUNTY POWER

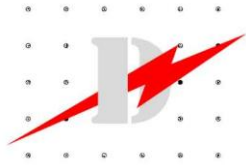
Catalogue Number	Clamp Range mm	Rated Strength kN	Dimensions, mm				Approx. Weight kg
			A	B	C	∅	
PSC-9-19	9.5 ~ 19	80	180	40	90	16	2.5
PSC-18-30	18.0 ~ 30.0	80	217	50	116	16	3.0
PSC-30-45	30.0 ~ 45.0	100	267	68	120	16	4.0

Dulhanty Power Aluminium Pivot Suspension Clamps are designed for use with AAC,AAAC and ACSR in Suspension applications for Deviation angles of up to 20 deg.

Material:

- Body and Keeper - Aluminium alloy
- Hardware -Galvanized steel
- Split Pin - Stainless steel





SUSPENSION AND STRAIN CLAMP

SECTION D

ALUMINIUM PIVOT SUPPORT CLAMPS

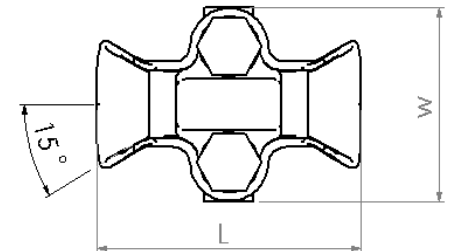
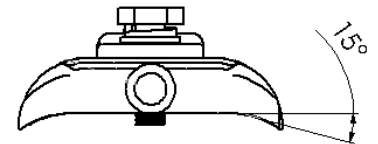
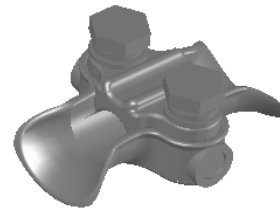
DULHUNTY POWER

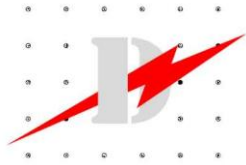
Catalogue Number	Clamp Range mm	Rated Strength kN	Dimensions, mm			Approx. Weight kg
			L	W	Bolt size	
TSC-0614	6 ~ 14	12	133	99	M12	0.5
TSC-0921	9 ~ 21	12	133	99	M12	0.5
TSC-1327	13 ~ 27	12	133	99	M12	0.6
TSC-2538	25 ~ 38	12	133	99	M12	0.6

Dulhanty Power Pivot Support Clamps are designed for use with AAC, AAAC and ACSR conductors and supported on horizontal or vertical line post insulators.

Reversible keeper allows a large conductor range for each clamp size.

Material:
Body and Keeper - Aluminium alloy



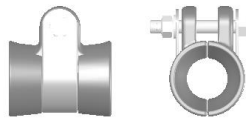


SUSPENSION AND STRAIN CLAMP

SECTION D

HELIXON SUSPENSION CLAMPS

DULHUNTY POWER



HSC housing



Insert



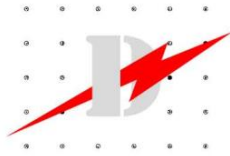
Helixon suspension clamp rods

Dulhunty Power Helixon Suspension Clamps are designed for use with AAC, AAAC and ACSR conductors and offer superior vibration protection in severe vibration conditions.

Catalogue Number	Conductors		O.D.	Colour Code
	AAC/AAAC	ACSR		
HSC-09.00	7/3.00	6/1/3.00 4/3/3.00	9.00	Red
HSC-11.25	7/3.75	6/1/3.75 4/3/3.75	11.25	Black
HSC-13.50	7/4.50	–	13.50	Green
HSC-14.30	7/4.75	6/1/4.75	14.30	Blue
HSC-16.25	19/3.25	–	16.25	Orange
HSC-17.50	–	30/7/2.50	17.50	Blue
HSC-18.75	19/3.75	–	18.75	Black
HSC-21.00	37/3.00	30/7/3.00	21.00	Red
HSC-23.75	19/4.75	–	23.75	Blue



Please consult our sales office for DHSC



SUSPENSION AND STRAIN CLAMP SECTION D

CAST IRON SUSPENSION CLAMPS

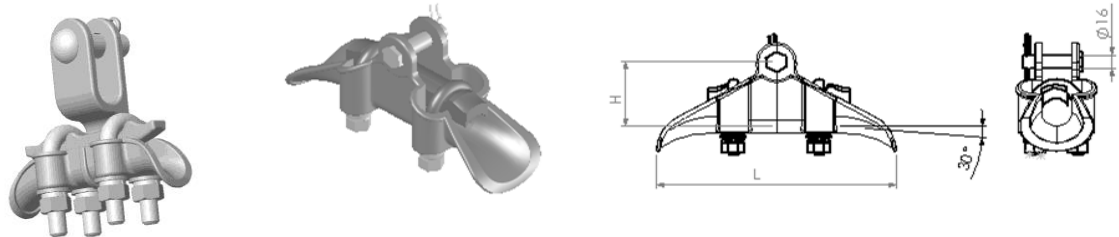
DULHUNTY POWER

Catalogue Number	Clamp Range mm	Rated Strength kN	Dimensions, mm		Approx. Weight kg
			L	H	
DSC-5085	5 ~ 8.5	50	178	54	2.0
DSC-71130	7.1 ~ 13.0	50	190	54	2.4
DSC-110185	11.0 ~ 18.5	50	180	53	3.1
DSC-178235	17.8 ~ 23.5	50	226	74	3.8
DSC-230320	23.0 ~ 32.0	60	262	87	4.9
DSCO-0615	6.0 ~ 15.0	24	152	79	1.8

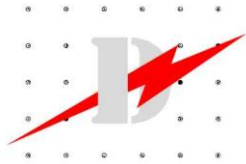
Dulhanty Power Suspension Clamps are designed for use with SC/GZ, SC/AC and other steel conductors in suspension applications.

Material:

- Body and Keeper - galvanized cast iron
- Hardware - galvanized steel
- Split Pin - stainless steel



DSCO-0615
Offset clamp



SUSPENSION AND STRAIN CLAMP

SECTION D

CAST IRON PIVOT SUPPORT CLAMPS

DULHUNTY POWER

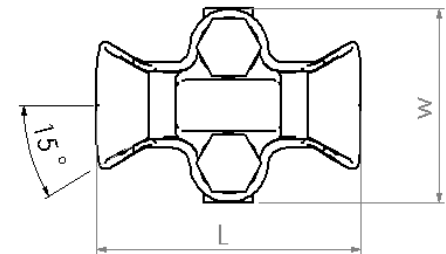
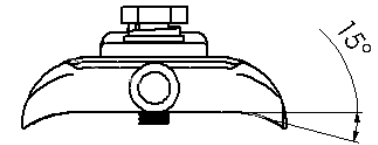
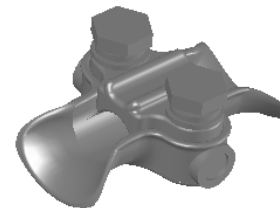
Catalogue Number	Clamp Range mm	Rated Strength kN	Dimensions, mm			Approx. Weight kg
			L	W	Bolt size	
DTSC-0614	6 ~ 14	12	133	98.5	12	1.1
DTSC-1327	13 ~ 27	12	133	98.5	12	1.2
DTSC-2538	25 ~ 38	12	133	98.5	12	1.3

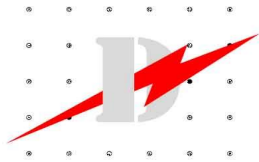
Dulhanty Power Pivot Support Clamps are designed for use with SC/GZ, SC/AC and other steel conductors in suspension

Reversible keeper allows a large conductor range for each clamp size.

Material:

Body and Keeper - galvanized cast iron





SUSPENSION AND STRAIN CLAMP SECTION D

ALUMINIUM STRAIN CLAMPS

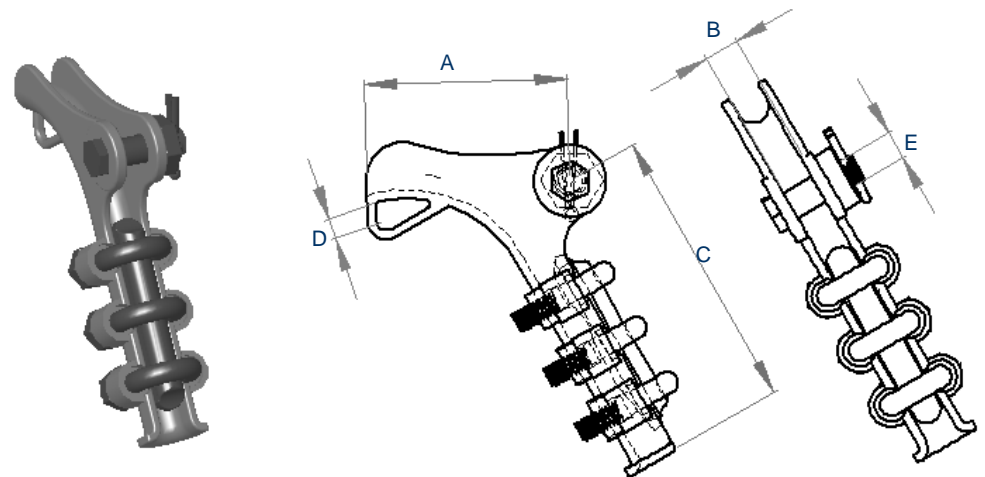
DULHUNTY POWER

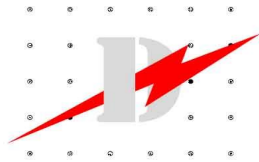
Catalogue Number	Clamp Range mm	Rated Strength kN	Dimensions, mm					U-Bolts		Approx. Weight, kg
			A	B	C	D	E	NO.	Size, mm	
ATC-51114	5.1 ~ 11.4	40	108	19	126	20	16	2	12	0.5
ATC-89185	8.9 ~ 18.5	50	153	20	178	32	16	2	12	1.8
ATC-50150	5.0 ~ 15.0	70	170	28	190	20	16	3	12	1.9
ATC-121218	12.1 ~ 21.8	70	284	30	298	32	16	4	12	4.1
ATC-180300	18.0 ~ 30.0	70	342	36	446	38	20	5	12	7.0

Dulhanty Power Strain Clamps are designed for use with AAC, AAAC or ACSR conductor.

Material:

Body and Keeper - Aluminium alloy
 Hardware - Galvanized steel
 Split pin - Stainless steel





SUSPENSION AND STRAIN CLAMP

SECTION D

CAST IRON STRAIN CLAMPS

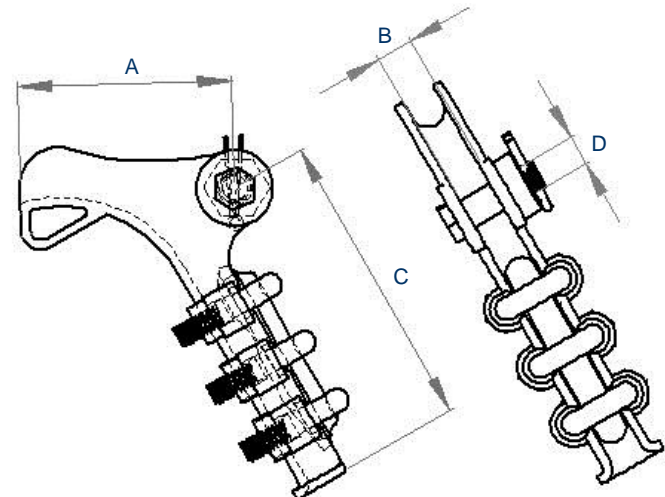
DULHUNTY POWER

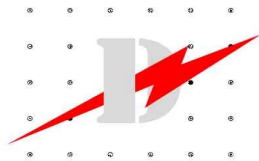
Catalogue Number	Clamp Range mm	Rated Strength kN	Dimensions, mm					U-Bolts		Approx. Weight, kg
			A	B	C	D		NO.	Size, mm	
DTC-510	5.0 ~ 10.0	20	120	18	150	16		2	12	1.3
DTC-1014	10.1 ~ 14.0	40	130	18	205	16		3	12	2.1
DTC-1418	14.1 ~ 18.0	70	160	22	310	18		4	16	4.6
DTC-1823	18.1 ~ 23.0	90	220	25	410	18		4	16	7.1

Dulhanty Power Strain Clamps are designed for use with SC/GZ, SC/AC and other steel conductors in suspension applications.

Material:

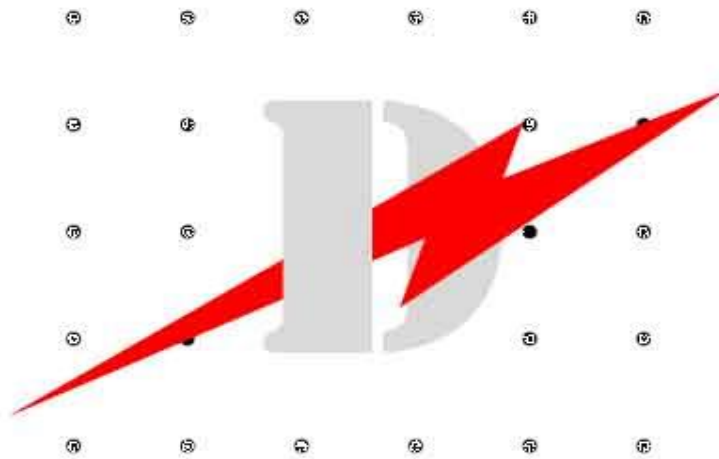
- Body and Keeper - Galvanized cast iron
- Hardware - Galvanized steel
- Split pin - Stainless steel





DULHUNTY POWER

Dulhunty Power (Aust) Pty Ltd
Unit 2/35 Waterloo Road, North Ryde
Sydney NSW 2113, Australia
Telephone: + 61 2 9870 7277
Facsimile: + 61 2 9870 7299
Email: sales@dulhunty.com
Web: www.dulhuntypower.com



Dulhunty Power (China) Ltd
3303#, Zhuan Qiao, Jiangdu
Jiangsu, 225233 P.R.C.
Telephone: + 86 514 6842 462
Facsimile: + 86 514 6842 463
Email: sales@dulhuntychina.com
Web: www.dulhuntypower.com

Dulhunty Power North America
14262 Fred and Al Key Rd.
Kiln, Ms. 39556
United States of America
Telephone +1 (228) 467-8075
Email: brandi@dulhunty.com

Dulhunty Power (N.Z.) Ltd
PO Box 281
Whangaparaoa
Auckland New Zealand
Telephone + 64 9 424 7295
Facsimile: + 64 9 428 0577
Email: brian@dulhunty.com
Web: www.dulhuntypower.com

Dulhunty Power (Malaysia) Sdn. Bhd.
Lot 8040, Jalan 2/D Kg. Baru Subang
40150 Shah Alam
Selangor Darul Ehsan, Malaysia
Telephone + 603 7843 0488
Facsimile: + 603 7843 0433
Email: enquiry@dulhunty.com.my
Web: www.dulhuntypower.com

Dulhunty Power (Thailand) Ltd
3/2 Moo 7, Suwintawong Road
Klongluangphang, AmphurMuang
Chachoengsao 24000, Thailand
Telephone + 66 3884 5675
Facsimile: + 66 3884 5674
Email: pana@dulhunty.com
Web: www.dulhuntypower.com