

FABRICATED FITTINGS

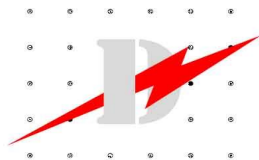
INDEX

DULHUNTY POWER

FABRICATED FITTINGS

SECTION E

Shackle Straps	Type S-STRAP.....	Page E-2
"U" Shackle Straps	Type S-STRAP.....	Page E-3
Cross Arm Braces	Type X-BRACE... ..	Page E-4
Stay Rods and Bows	Type STAY.....	Page E-5
Saglinks	Type SL	Page E-6
Yoke Plates	Type YPT	Page E-7
Maintenance Tension Links	Type MTL	Page E-8
Link Plates	Type LP & DLP.....	Page E-9
Double Arming Bolts	Type DAB.....	Page E-10
Guy Thimble Closed	Type GT.....	Page E-11
Guy Thimble Opened	Type OGT.....	Page E-11
Eye Bolts	Type EB.....	Page E-12
Pole Steps	Type PS.....	Page E-13
Line Pins and Hooks	Type	Page E-14



FABRICATED FITTINGS

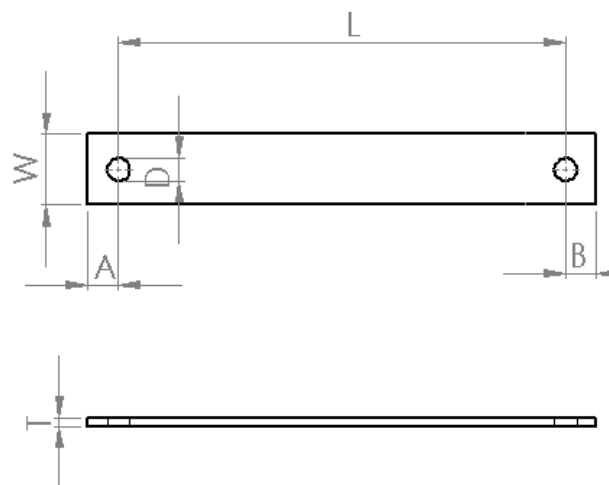
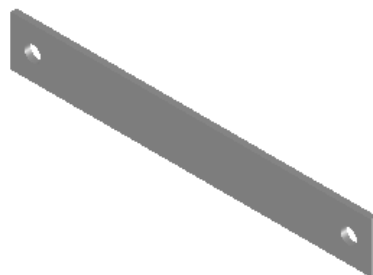
SECTION E

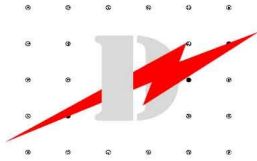
SHACKLE STRAPS

DULHUNTY POWER

Catalogue Number	Dimension, mm						Approx. Weight kg
	A	B	D ∅	W	T	L	
S-STRAP-1	17	17	14	32	5	216	0.6
S-STRAP-3	22	22	16	50	6	316	0.8
S-STRAP-4	25	25	18	32	5	250	0.6
S-STRAP-5	25	25	16	32	5	250	0.6
S-STRAP-8	25	25	18	40	6	255	0.7

Material:
Galvanized Steel





FABRICATED FITTINGS

“U” SHACKLE STRAPS

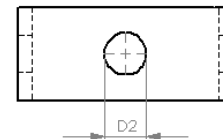
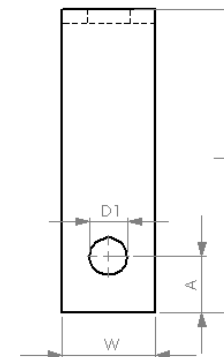
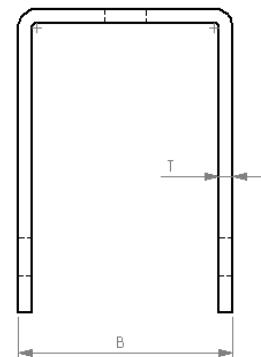
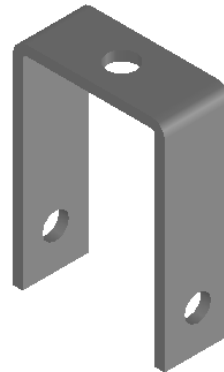
SECTION E

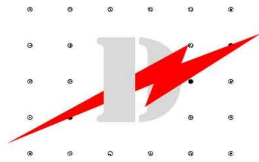
DULHUNTY POWER

Catalogue Number	Dimension, mm							Approx. Weight kg
	A	B	D1 ∅	D2 ∅	W	T	L	
S-STRAP-2	22	92	16	18	40	6	130	0.6
S-STRAP-7	22	117	16	18	40	6	111	0.6
S-STRAP-9	22	105	16	18	40	6	130	0.7

Material:

Galvanized Steel





FABRICATED FITTINGS

SECTION E

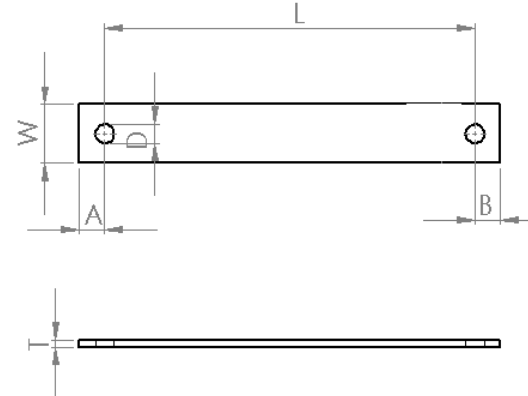
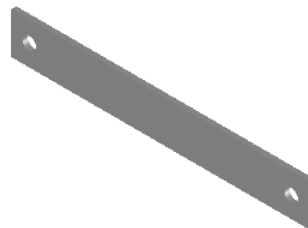
CROSS ARM BRACES

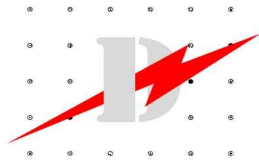
DULHUNTY POWER

Catalogue Number	Dimension, mm						Approx. Weight kg
	A	B	D ∅	W	T	L	
X-BRACE-01	25	25	18	40	6	863	1.9
X-BRACE-02	25	25	18	50	6	863	2.1
X-BRACE-03	25	25	18	50	6	800	2.0
X-BRACE-04	25	25	18	50	6	500	1.3
X-BRACE-05	25	25	18	50	6	850	2.2
X-BRACE-06	25	25	18	50	6	1050	2.7

Material:

Galvanized Steel



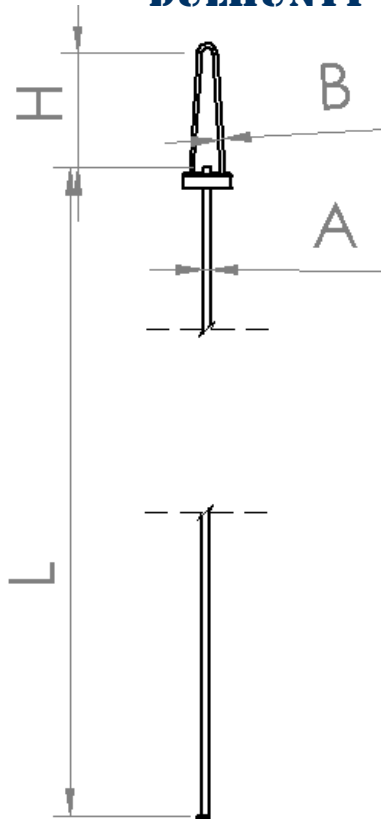


FABRICATED FITTINGS

STAY RODS AND BOWS

SECTION E

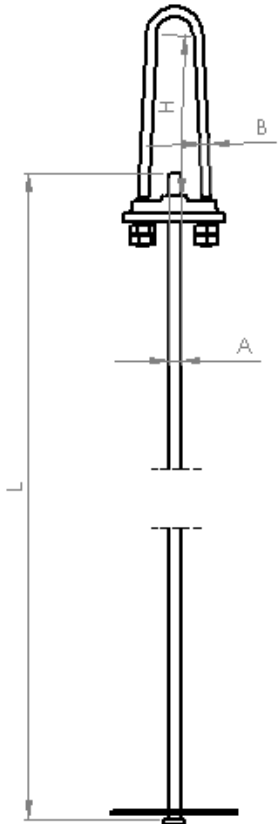
DULHUNTY POWER



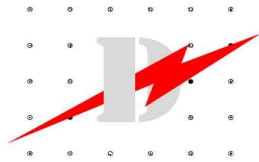
STA-PNG-1
STA-PNG-2
STAY-2
STAY-4

Catalogue Number	Dimension, mm				Approx. Weight kg
	A	B	H	L	
STA-PNG-1	20	16	355	2745	10.5
STA-PNG-2	24	20	355	3200	13.5
STAY- 1	20	16	355	2500	11.5
STAY- 2	16	16	355	2000	10.0
STAY- 3	24	20	550	4500	20.0
STAY- 4	24	24	355	2400	10.5

Material:
Galvanized Steel



STAY-1
STAY-3



FABRICATED FITTINGS

SECTION E

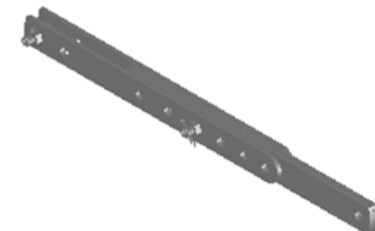
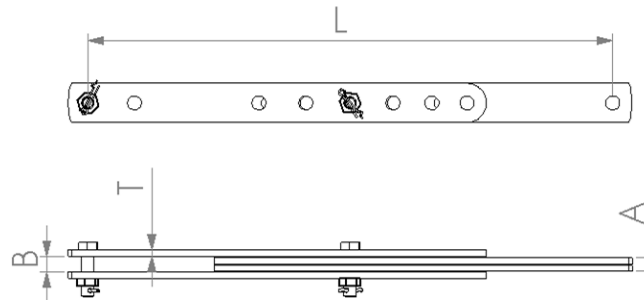
SAGLINKS

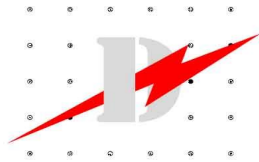
DULHUNTY POWER

Catalogue Number	Minimum Failing Load kN	Dimension, mm				Approx. Weight kg
		A max	B	T	L	
SL-70-230	70	18	20	8	230~350	6.0
SL-70-485	70	18	20	8	485~745	7.0
SL-120-566	120	18	20	8	566~974	9.0
SL-160-566	160	22	24	10	566~974	11.0

Material:

Galvanized Steel





FABRICATED FITTINGS

SECTION E

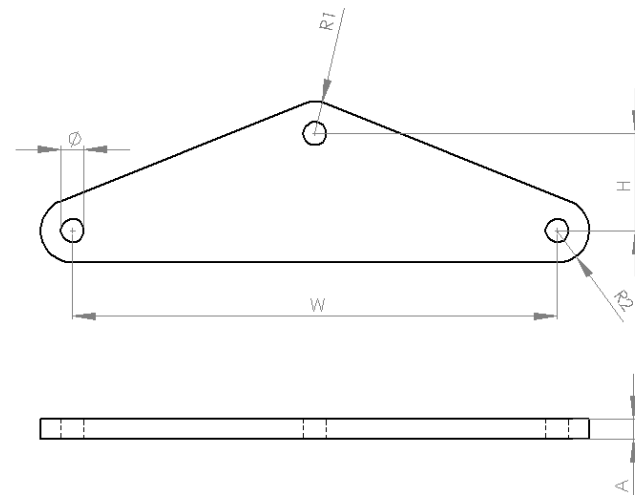
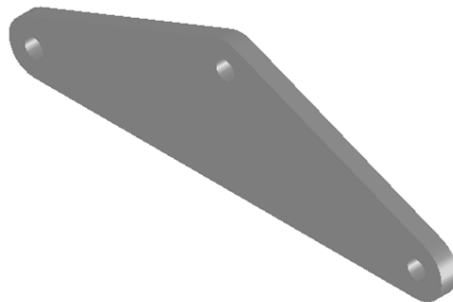
YOKE PLATES

DULHUNTY POWER

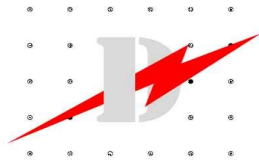
Catalogue Number	Minimum Failing Load kN	Dimension, mm						Approx. Weight kg
		A	H	Ø	W	R1	R2	
YPT-70-560	70	16	100	18	560	22	22	5.0
YPT-70-457	70	16	100	18	457	22	22	4.5
YPT-120-457	120	16	100	18	457	22	22	4.5
YPT-160-380	160	20	76	22	380	28	28	5.5

Material:

Galvanized Steel



Consult Dulhunty Power for yoke plates to suit any string arrangement



FABRICATED FITTINGS

SECTION E

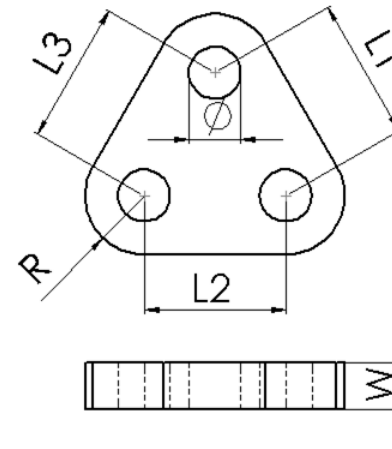
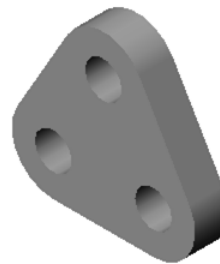
MAINTENANCE TENSION LINKS

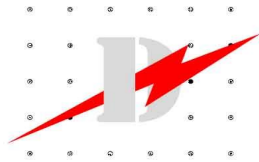
DULHUNTY POWER

Catalogue Number	Minimum Failing Load kN	Dimension, mm						Approx. Weight kg
		L1	L2	L3	W	R	∅	
MTL-70	70	60	60	60	16	22	18	0.7
MTL-160	160	60	60	60	20	25	22	0.9

Material:

Galvanized Steel





FABRICATED FITTINGS

SECTION E

DOUBLE AND SINGLE LINK PLATES

DULHUNTY POWER

Catalogue Number Double Plate Links	Catalogue Number Single Plate Links	Hole Center Distance mm
DLP-70-100	LP-70-100	100
DLP-70-150	LP-70-150	150
DLP-70-200	LP-70-200	200
DLP-70-250	LP-70-250	250
DLP-70-300	LP-70-300	300
DLP-70-350	LP-70-350	350

Link plates are available in 70/120/160 kN ratings and various lengths.

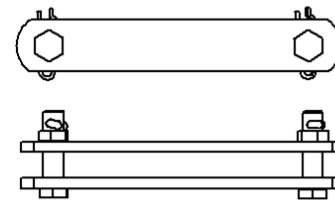
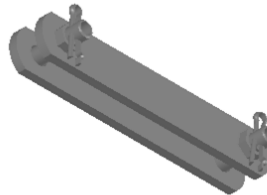
Please refer to our nearest sales office for further information.

Material:

Body - Galvanized steel

Hardware - Galvanized steel

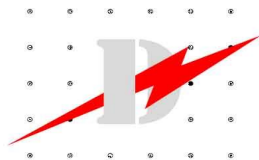
Split pin - Stainless steel



Single link plate

Link Plate Assembly

Consult Dulhanty Power for link plates to suit any string arrangement



FABRICATED FITTINGS

SECTION E

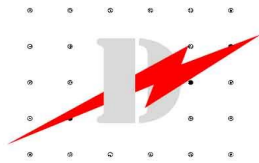
DOUBLE ARMING BOLTS

DULHUNTY POWER

Catalogue Number	Dimension,mm		
	Overall Length	Thread length	ϕ
DAB20-400	400	150	20
DAB20-450	450	200	
DAB20-500	500	200	
DAB20-550	550	250	
DAB20-600	600		
DAB20-650	650		
DAB20-700	700		

Material:
Galvanized Steel





FABRICATED FITTINGS

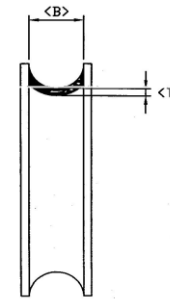
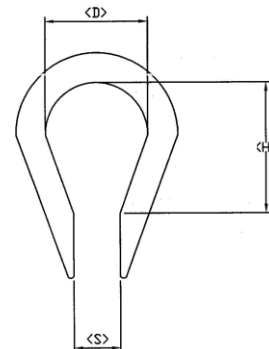
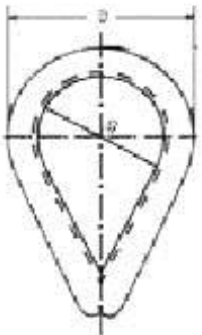
SECTION E

GUY THIMBLES

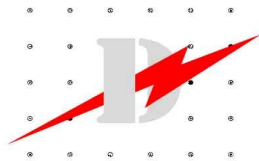
DULHUNTY POWER

Catalogue Number	Dimension, mm					Approx. Weight Per 100 kg
	C	D	G	A	T	
GT-10	41	37	24	10.5	2	2.6
GT-12	48	45	29	13.5	2.5	5.2
GT-16	57	60	35	17	3	10.5
GT-20	63.5	68	41.5	20	3	21.0
GT-22	89	81	48	24	3.2	35.7

Catalogue Number	Dimension, mm					Approx. Weight Per 100 kg
	S Nom.	D	H	B	T	
OGT-10	12	28	43	11	1.75	1.7
OGT-12	14	30	50	13	2	3.2
OGT-16	18	36	59	18	3	6.4
OGT-20	22	47	70	21	2.5	13.0
OGT-25	25	65	92	23	8	13.0



Material:
Galvanized Steel



FABRICATED FITTINGS

SECTION E

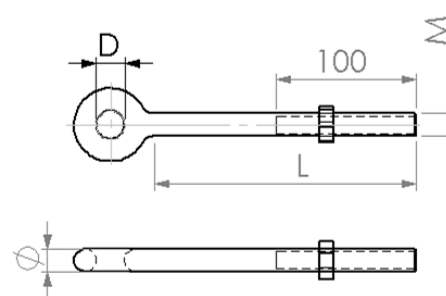
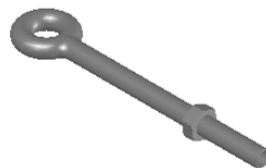
EYE BOLTS

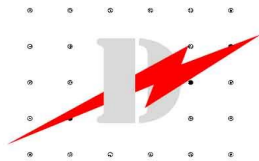
DULHUNTY POWER

Catalogue Number	Dimension, mm				Approx. Weight kg	Catalogue Number	Dimension, mm				Approx. Weight kg
	L	M	D	∅			L	M	D	∅	
EB16-150	150	16	38	16	0.4	EB20-150	150	20	38	20	0.6
EB16-200	200				0.5	EB20-200	200				0.8
EB16-250	250				0.6	EB20-250	250				0.9
EB16-300	300				0.7	EB20-300	300				1.0
EB16-350	350				0.7	EB20-350	350				1.2
EB16-400	400				0.8	EB20-400	400				1.3
EB16-450	450				0.9	EB20-450	450				1.5
EB16-500	500				1.0	EB20-500	500				1.6
EB16-600	600				1.2	EB20-600	600				1.7

Material:

Galvanized Steel





FABRICATED FITTINGS

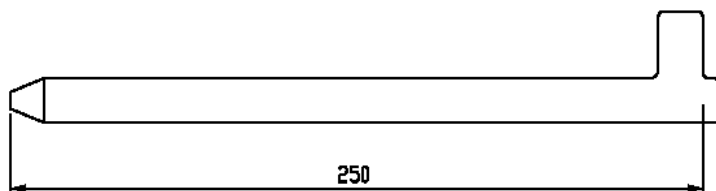
SECTION E

POLE STEPS

DULHUNTY POWER

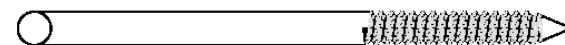
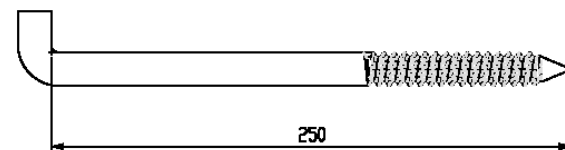
Catalogue
Number
PS16-250

Knock in style

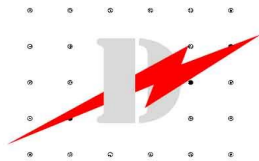


Catalogue
Number
PS16-250-S

Screw in style



Material:
Galvanized Steel



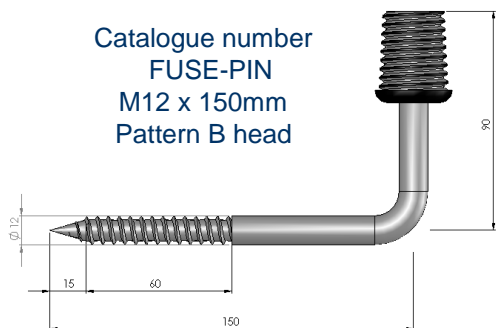
FABRICATED FITTINGS

SECTION E

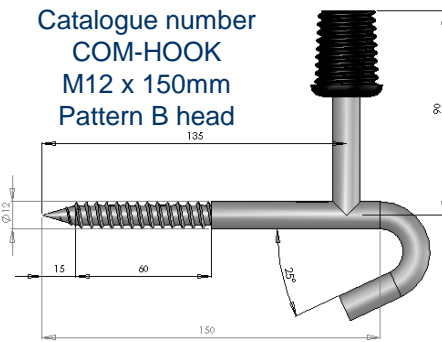
LINE PINS AND HOOKS

DULHUNTY POWER

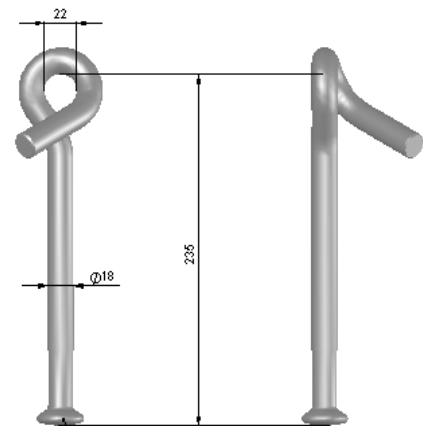
Catalogue number
FUSE-PIN
M12 x 150mm
Pattern B head



Catalogue number
COM-HOOK
M12 x 150mm
Pattern B head

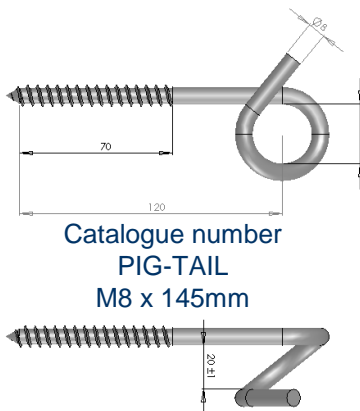


Catalogue number
PIG-HOOK
16mm Ball

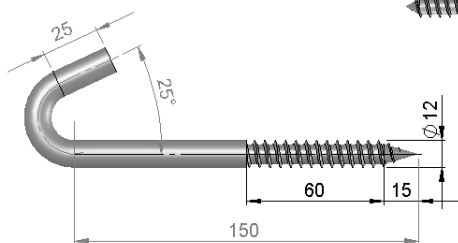


Material:
Galvanized Steel

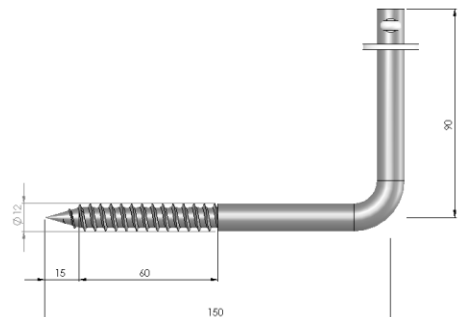
Catalogue number
PIG-TAIL
M8 x 145mm

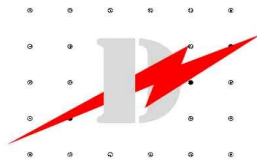


Catalogue number
J-HOOK
M12 x 150mm



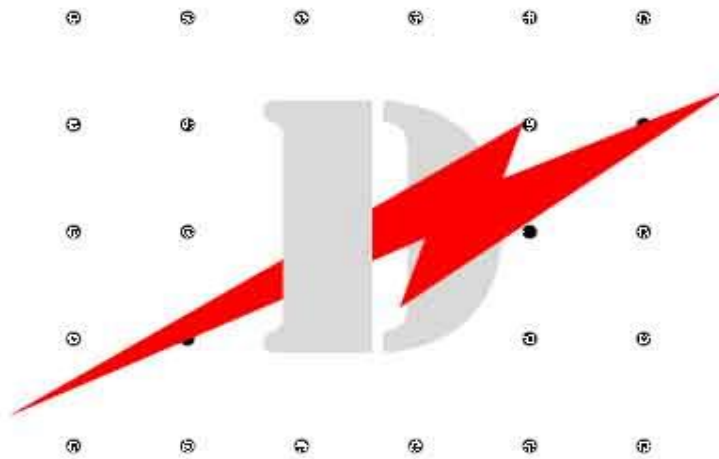
Catalogue number
L-HOOK
M12 x 150mm





DULHUNTY POWER

Dulhunty Power (Aust) Pty Ltd
Unit 2/35 Waterloo Road, North Ryde
Sydney NSW 2113, Australia
Telephone: + 61 2 9870 7277
Facsimile: + 61 2 9870 7299
Email: sales@dulhunty.com
Web: www.dulhuntypower.com



Dulhunty Power (China) Ltd
3303#, Zhuan Qiao, Jiangdu
Jiangsu, 225233 P.R.C.
Telephone: + 86 514 6842 462
Facsimile: + 86 514 6842 463
Email: sales@dulhuntychina.com
Web: www.dulhuntypower.com

Dulhunty Power North America
14262 Fred and Al Key Rd.
Kiln, Ms. 39556
United States of America
Telephone +1 (228) 467-8075
Email: brandi@dulhunty.com

Dulhunty Power (N.Z.) Ltd
PO Box 281
Whangaparaoa
Auckland New Zealand
Telephone + 64 9 424 7295
Facsimile: + 64 9 428 0577
Email: brian@dulhunty.com
Web: www.dulhuntypower.com

Dulhunty Power (Malaysia) Sdn. Bhd.
Lot 8040, Jalan 2/D Kg. Baru Subang
40150 Shah Alam
Selangor Darul Ehsan, Malaysia
Telephone + 603 7843 0488
Facsimile: + 603 7843 0433
Email: enquiry@dulhunty.com.my
Web: www.dulhuntypower.com

Dulhunty Power (Thailand) Ltd
3/2 Moo 7, Suwintawong Road
Klongluangphang, AmphurMuang
Chachoengsao 24000, Thailand
Telephone + 66 3884 5675
Facsimile: + 66 3884 5674
Email: pana@dulhunty.com
Web: www.dulhuntypower.com