

INSULATED SYSTEMS

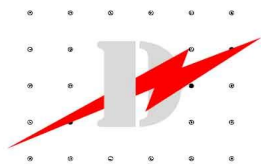
INDEX

DULHUNTY POWER

INSULATED SYSTEMS

SECTION F

LV ABC Suspension Clamps	Type ABCSC.....	Page F-2
Suspension Clamp and Rollers	Type SO & ST.....	Page F-3
LV ABC Tension Clamps	Type ABCTC.....	Page F-4
LV ABC Service Clamps	Type ABCTCS.....	Page F-5
LV ABC Bolted Clamps	Type ABCTC.....	Page F-6
Hook Bolts	Type ABCHB.....	Page F-7
Weak Links	Type ABCWL.....	Page F-7
Hook Nuts & Eye Nuts	Type ABCHN & ABCEN.....	Page F-8
Insulation Piercing Connectors	Type ABCIPC.....	Page F-9
Yoke Bars	Type ABCYB.....	Page F-10
Hook Brackets	Type ABCHBR.....	Page F-11
Wedges	Type ST & PMR.....	Page F-12
HV ABC Typical Termination Assembly	Type	Page F-13
HV ABC Helixon Bundle Restraints	Type HR.....	Page F-14
HV ABC Typical Suspension Assembly	Type	Page F-15
HV ABC Suspension Bracket & Hook Bolt	Type SB & SHB.....	Page F-16
HV ABC Suspension Clamps	Type ABCHV.....	Page F-17
HV ABC Roller and Strap	Type	Page F-18
CCT Conductor Fittings	Type CCT.....	Page F-19



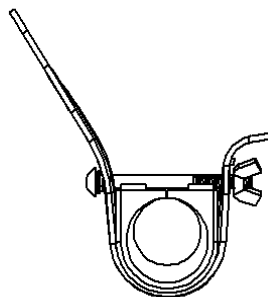
INSULATED SYSTEMS

SECTION F

LV ABC SUSPENSION CLAMPS

DULHUNTY POWER

Catalogue Number		Cable size sq mm AS3560		
Galv. Body	Stainless Body	2 Core	3 Core	4 Core
ABCSC-435	ABCSC-435S	50	50	35
ABCSC-450	ABCSC-450S	–	–	50
ABCSC-470	ABCSC-470S	95	–	70
ABCSC-495	ABCSC-495S	–	–	95

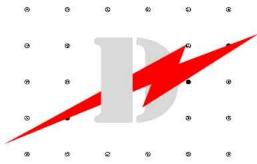


The clamp is suitable for up to 30° line deviation.
The clamp bush design is split for ease of application.

Materials:

Hardware: Galvanized steel

Bush: EPDM



INSULATED SYSTEMS

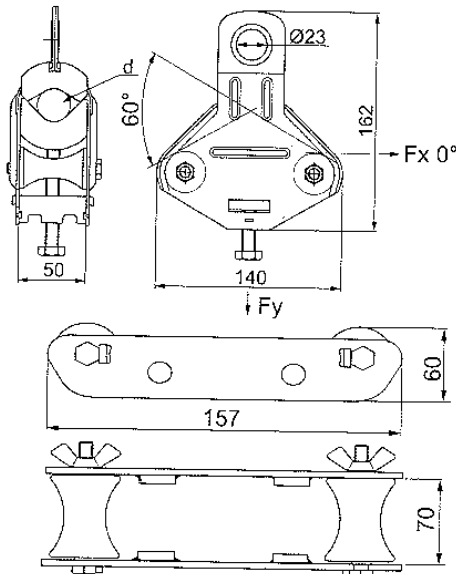
SECTION F

SUSPENSION CLAMP AND EXTENSION ROLLERS

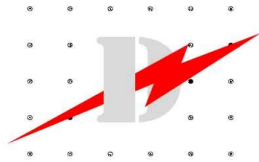
DULHUNTY POWER

Used for the installation and suspension of the 4 core ABC cables from poles in straight lines and at angles of up to 90 Deg with 4x25 sq mm and 4x50 sq mm cables or up to 60 Deg with 4x95 sq mm cables.

ST 26.99 extension rollers are used during the installation when angles exceed 30 Degrees.



Catalogue Number	Conductors sq mm	Cable Dia mm	Weight g	Package pcs
SO 99	4x(25-95)	18-38	950	10
ST 26.99	Extension rollers for SO 99	18-38	2300	10



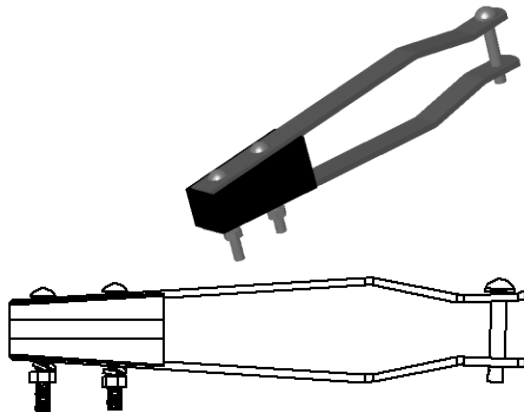
INSULATED SYSTEMS

SECTION F

LV ABC TENSION CLAMPS

DULHUNTY POWER

Catalogue Number	Cable Size sq mm AS3560
ABCTC-2595	2 x 50 – 2 x 95
ABCTC-2550	4 x 25 – 4 x 50
ABCTC-5095	4 x 50 – 4 x 95
ABCTC-95150	4 x 95 – 4 x 150



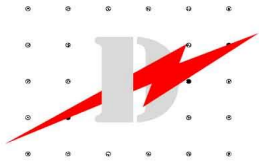
The strain clamps are designed to facilitate assembly onto the cable and includes spring loaded wedges and a wide area between the straps.

The wedge action of the clamp ensures maximum holding strength.

Materials:

Wedges: Glass filled nylon
Hardware: Galvanized Steel
Straps: Aluminium





INSULATED SYSTEMS

SECTION F

LV ABC SERVICE CLAMPS

DULHUNTY POWER

Description	Catalogue Number	Cable Size sq mm AS3560
Service strain clamp	ABCTCS-435	2 and 4 core 6, 10,16 25 and 35 sqmm
Service strain clamp	ABCTCS-235	2 core 6, 10,16 25 and 35 sqmm
Roller clamp	RC-3	2 and 4 core 4 , 6, 10 sqmm
Roller clamp	RC-4	4 core 16sqmm



RC-3
Roller clamp

These clamps are designed to facilitate service wire installation

Materials:

Glass filled nylon

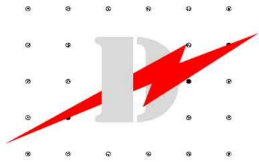
Straps: Stainless steel



ABCTCS-235
Service clamp



ABCTCS-435
Service clamp



INSULATED SYSTEMS

SECTION F

LV ABC BOLTED CLAMPS

DULHUNTY POWER

Description	Catalogue Number	Cable Size sq mm AS3560
Strain / Suspension clamp	ABCTC-41035	2 and 4 core 10, 16, 25 and 35 sqmm



Suspension arrangement

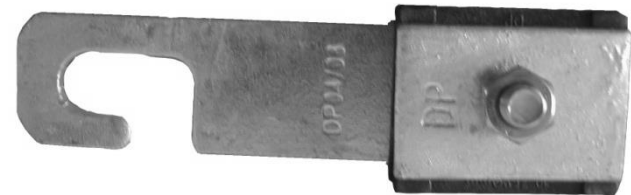
The bolted clamps are designed to facilitate installation of service wire terminations

With its swivel blocks it can also be used as a suspension clamp.

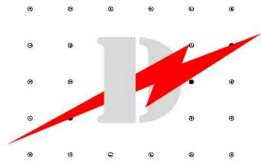
Materials:

Glass filled nylon

Straps: Galvanized steel



Strain arrangement



INSULATED SYSTEMS

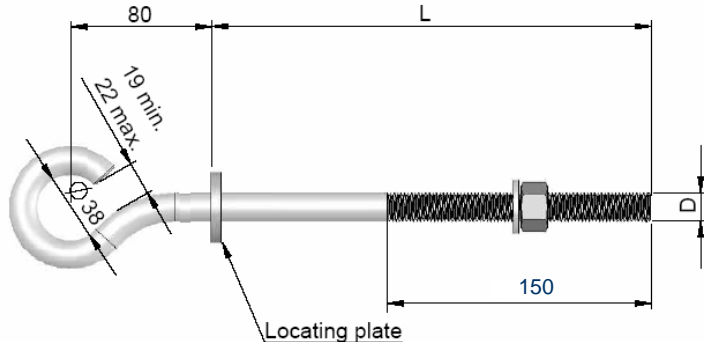
SECTION F

HOOK BOLTS AND WEAK LINKS

DULHUNTY POWER

Length (L) mm	Catalogue Number	
	Diameter (D) 16mm AS3766	Diameter (D) 20mm AS3766
250	ABCHB16-250	ABCHB20-250
350	ABCHB16-350	ABCHB20-350
450	ABCHB16-450	ABCHB20-450

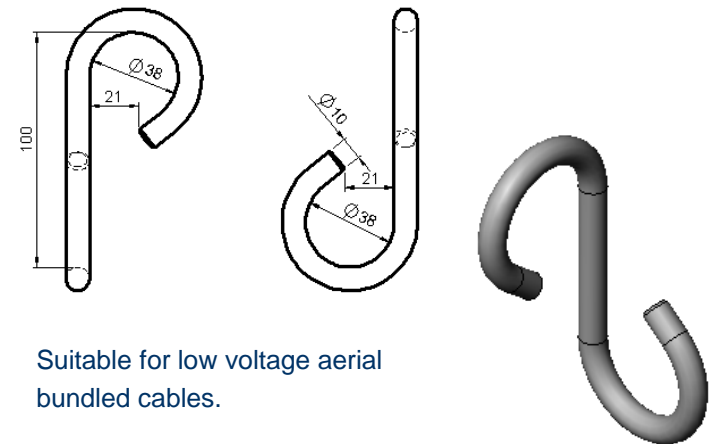
Catalogue Number	Diameter (mm)	Overall Length (mm)	Material Diameter (mm)
ABCWL-4	38	100	10



Suitable for low voltage aerial bundled cables.

Material:

Galvanized Steel

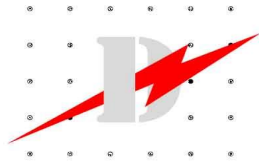


Suitable for low voltage aerial bundled cables.

Minimum failing load : 4kN

Material:

Carbon Grade Galvanized Steel



INSULATED SYSTEMS

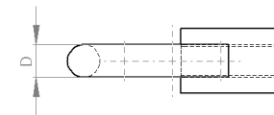
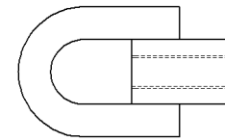
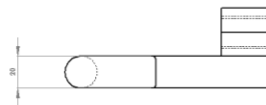
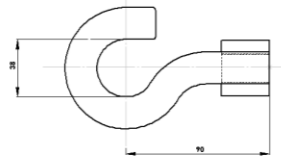
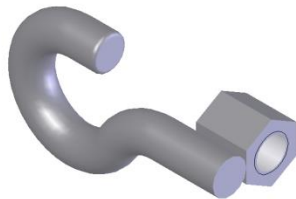
SECTION F

HOOK NUTS & EYE NUTS

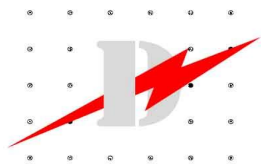
DULHUNTY POWER

Catalogue Number	Hook (dia.) mm AS3766	Failing Load kN AS3766
ABCHN-12	16	12
ABCHN-24	20	24

Catalogue Number	Thread Diameter mm AS3766	Thread Length mm AS3766	Eye (D) mm AS3766	Min. Failing Load kN
ABCEN-16	16	30	12	44
ABCEN-20	20	40	16	70
ABCEN-2020	20	40	20	120
ABCEN-24	24	45	20	120



Material:
Galvanized Steel



INSULATED SYSTEMS

SECTION F

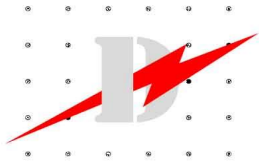
LV ABC INSULATION PIERCING CONNECTORS

DULHUNTY POWER

Catalogue Number	Insulated mains Cable sq mm	Insulated branch Cable sq mm	Number of Bolts
ABCIPC-440	16 to 95	2 to 6	1
ABCIPC-441	25 to 95	6 to 35	1
ABCIPC-445	35 to 95	25 to 95	1
ABCIPC-446	50 to 150	50 to 150	2

Catalogue Number	Bare mains Alu Cable Diameter mm	Insulated branch Cable sq mm	Number of Bolts
ABCIPC-470	3 to 9.5	6 to 35	1
ABCIPC-472	3 to 12.5	35 to 95	2
ABCIPC-475	9.5 to 15.8	50 to 150	2





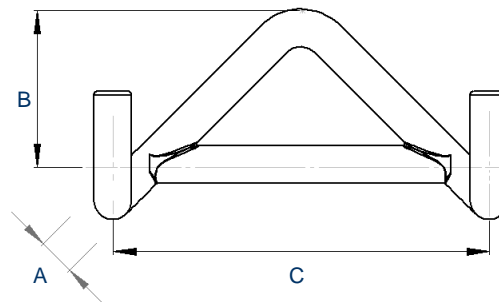
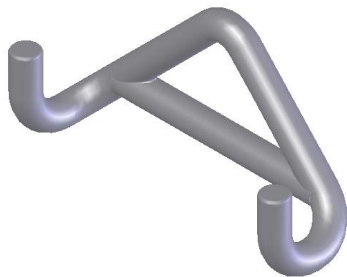
INSULATED SYSTEMS

YOKE BARS

SECTION F

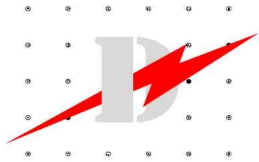
DULHUNTY POWER

Catalogue Number	Dimension, mm			Min. Failing Load kN AS3766
	A	B	C	
ABCYB-12	16	105	175	12
ABCYB-12A	16	130	300	12



The yoke bar is suitable for use with two of the ABCSC style clamps on angle poles, where the line angle deviates by more than 30°

Materials:
Galvanized Steel



INSULATED SYSTEMS

SECTION F

HOOK BRACKETS

DULHUNTY POWER

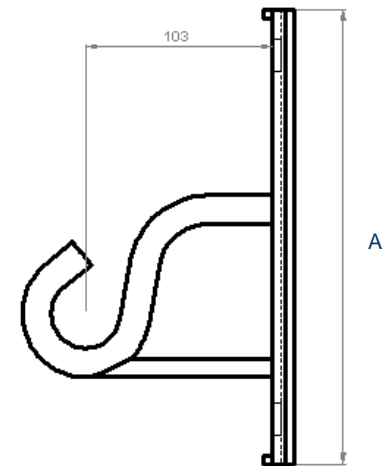
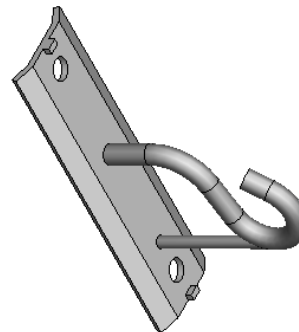
Catalogue Number	(A) mm	Hole Centers mm	Diameter of Hook mm	Min. Failing Load kN AS3766
ABCHBR-12L	250	200	16	12
ABCHBR-12	200	150	16	12

The hook bracket can be fixed to concrete or steel poles with stainless steel strapping.

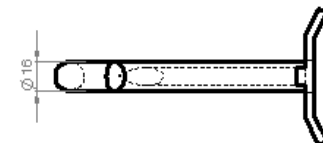
The hook bracket can be fixed to wooden poles with bolts or coach screws.

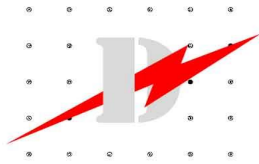
Materials:

Galvanized Steel



P/N ABCHBR-12





INSULATED SYSTEMS

SECTION F

WEDGES

DULHUNTY POWER

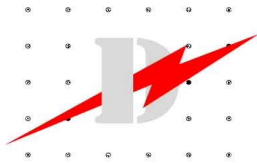
Catalogue Number	Description	Weight g	Package Pcs
ST 31	Two Plastic Wedges	100	10
ST 192	One Plastic Wedge	140	10
ST 200	Wooden Wedge	290	10



During the installation of connectors the phase conductors of an insulated overhead cable can be separated by using wedges. The wedge can also be used when installing suspension clamps. The wedges can be left on the cable even after the installation

Catalogue Number	Conductors Max mm Sq	Weight g	Package Pcs
PMR 87	4 x 95	20	50
PM 154	4 x 50	25	50



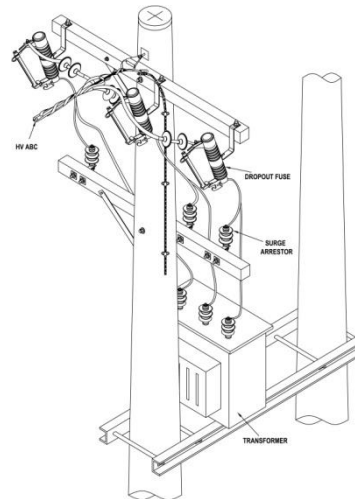


INSULATED SYSTEMS

SECTION F

HV ABC TYPICAL TERMINATION ASSEMBLY

DULHUNTY POWER

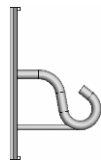


Catalogue Number	11kV Non Metallic Screened sqmm	22kV Non Metallic Screened sqmm
HR35-50	35 & 50	
HR70	70	35
HR95	95	50
HR70-95		70 & 95
HR120-150	120 & 150	
HR185	185	
HR120-150L		120 & 150
HR185L		185

Alternative Hook Bracket or Eye Bolt



EB16-300

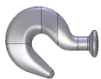


ABCHBR-12

Alternative Ball Hook or Ball Clevis



BC-70

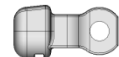


BH-70-LS

Alternative Socket Thimble or Clevis Thimble



CTHA-2600



SOCT-70

Helixon deadend to suit catenary wire



Helixon deadend

Part Number

Metallic screened 7/2.00DE-S0600

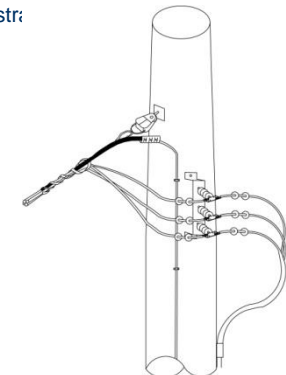
Metallic screened 19/2.00DE-S0975

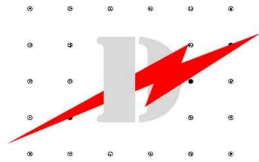
Non metallic screened 7/5.00DE-A1430C

Non metallic screened 19/3.65DE-A1750C



Helixon HVABC Restr.



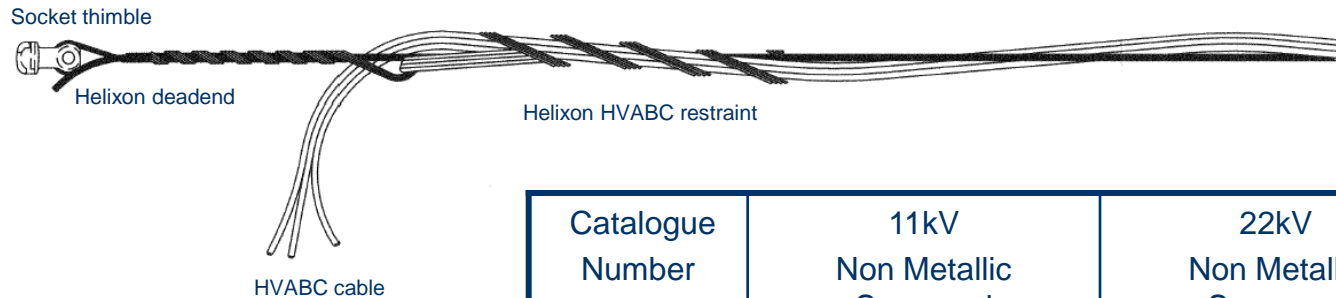


INSULATED SYSTEMS

SECTION F

HV ABC HELIXON BUNDLE RESTRAINTS

DULHUNTY POWER

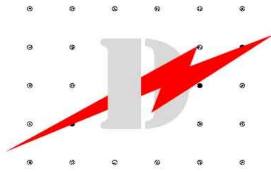


The Helixon restraint is a preventative restraint designed to minimise bird caging

Bird caging is caused by either gravity forces pulling on the conductor or as a result of a fault current.

Designs for Helixon restraints for metallic screened cables are available on request

Catalogue Number	11kV Non Metallic Screened sq mm	22kV Non Metallic Screened sq mm
HR35-50	35 & 50	
HR70	70	35
HR95	95	50
HR70-95		70 & 95
HR120-150	120 & 150	
HR185	185	
HR120-150L		120 & 150
HR185L		185

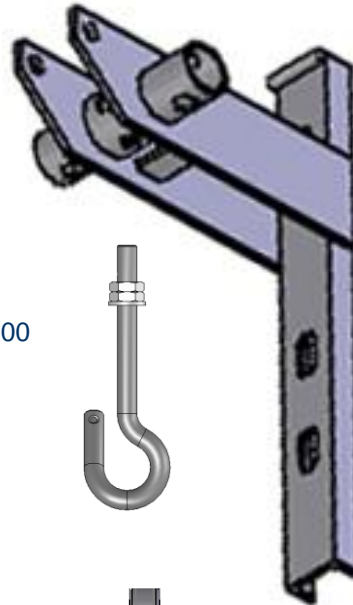


INSULATED SYSTEMS

SECTION F

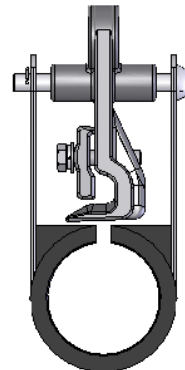
HV ABC TYPICAL SUSPENSION ASSEMBLY

DULHUNTY POWER

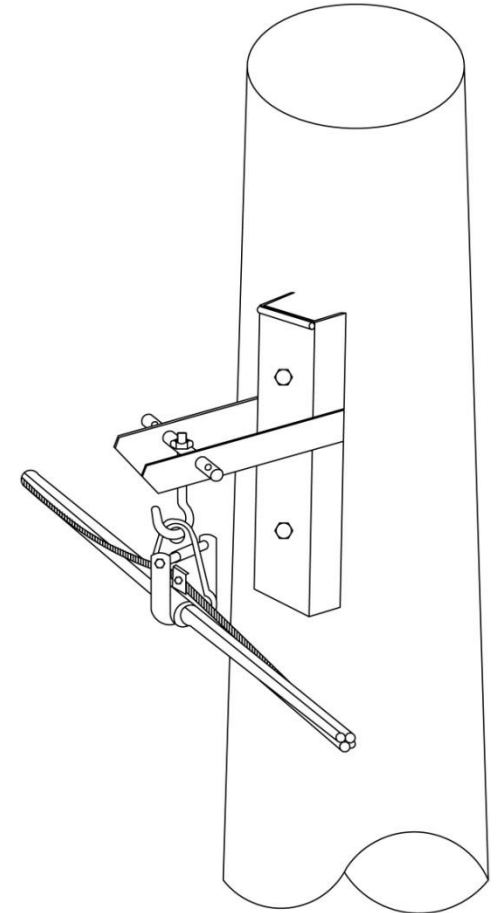


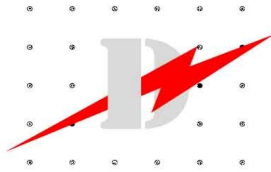
P/N SB10312
Suspension
Bracket

P/N SHB16200
Suspension
Hook Bolt



ABCHV
Suspension clamp



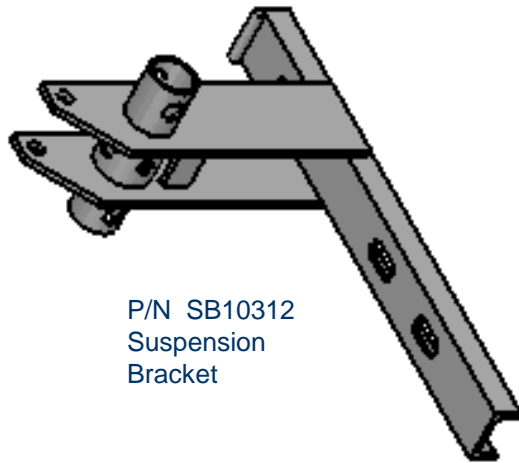


INSULATED SYSTEMS

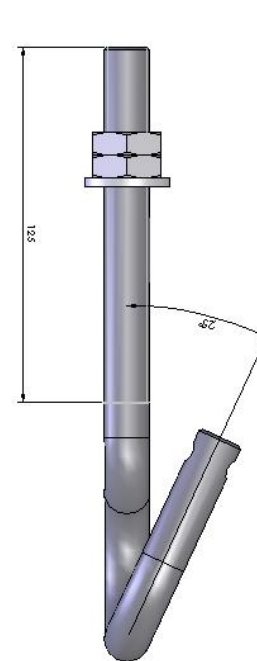
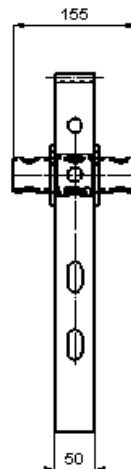
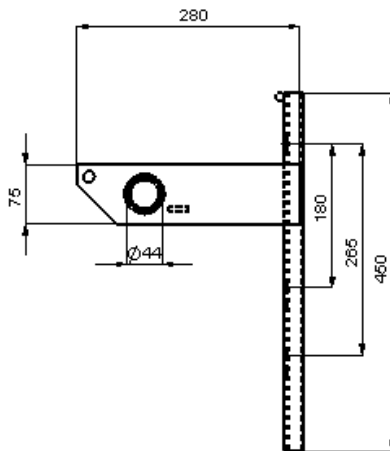
SECTION F

HV ABC SUSPENSION BRACKET AND HOOK BOLT

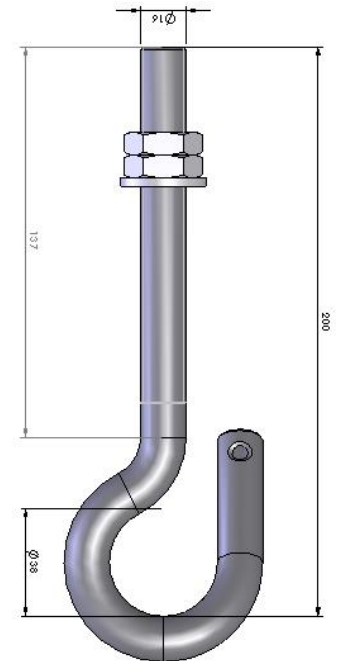
DULHUNTY POWER

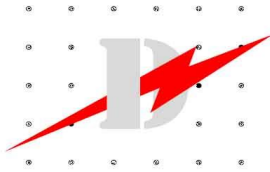


P/N SB10312
Suspension
Bracket



P/N SHB16200
Suspension Hook
Bolt





INSULATED SYSTEMS

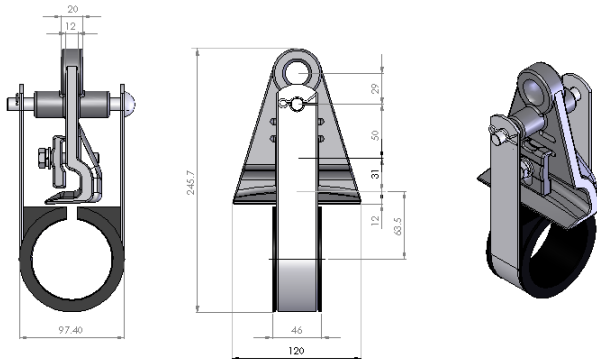
SECTION F

HV ABC SUSPENSION CLAMPS

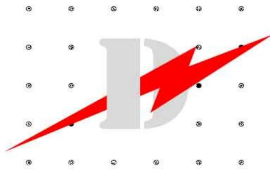
DULHUNTY POWER

This suspension clamp is suitable for use on High Voltage ABC cables. Whether the cables are metallic or non metallic Screened.

It is suitable for up to 45 degree line deviation



Catalogue Number	11kV Metallic Screened sqmm	22kV Metallic Screened sqmm	11kV Non Metallic Screened sqmm	22kV Non Metallic Screened sqmm
ABCHVMSC-35	35			
ABCHVMSC-50	50			
ABCHVMSC-70	70	35		
ABCHVMSC-95	95 & 120	50		
ABCHVMSC-150	150	70 & 95		
ABCHVMSC-185	185	120		
ABCHVMSC-150L		150		
ABCHVMSC-185L		185		
ABCHVNMSC-35			35 & 50	
ABCHVNMSC-70			70	
ABCHVNMSC-95			95 & 120	35 & 50
ABCHVNMSC-150			150	70
ABCHVNMSC-185			185	95 & 120
ABCHVNMSC-150L				150
ABCHVNMSC-185L				185



INSULATED SYSTEMS

SECTION F

HV ABC ROLLER AND STRAP

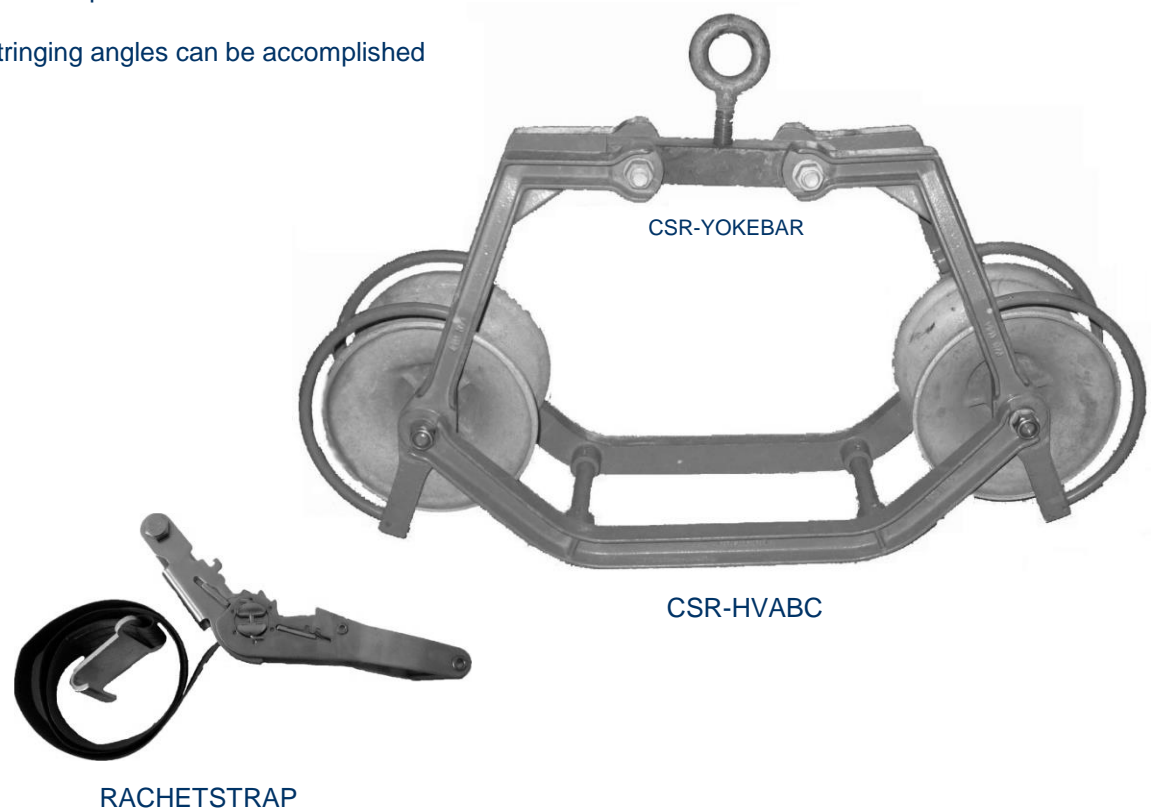
DULHUNTY POWER

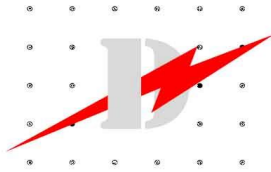
The Dulhanty Power HVABC roller makes stringing HVABC easy. With its unique design and ease of handling, adjusting the sag and hanging the suspension clamps becomes simple

With the additional yoke bar, most of the stringing angles can be accomplished

Catalogue Number	Approx. Weight kg
CSR-HVABC	10.5
CSR-YOKEBAR	3.5

Catalogue Number	Approx. Weight kg
RATCHETSTRAP	1.3



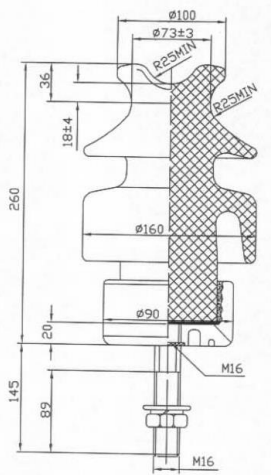


INSULATED SYSTEMS

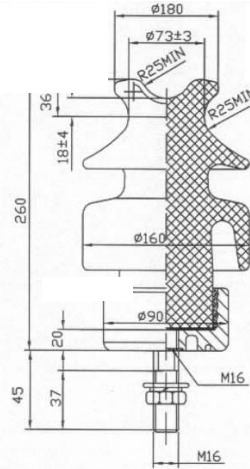
SECTION F

CCT INSULATORS

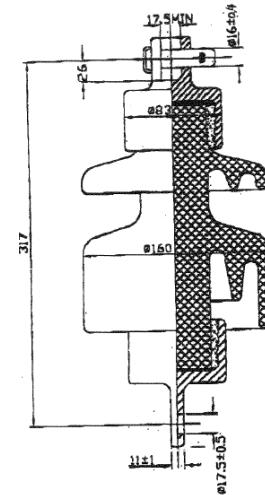
DULHUNTY POWER



CCT post insulator 11kV long Part number CCT-145



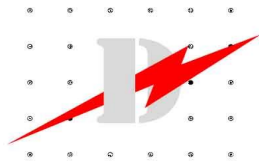
CCT post insulator 11kV short Part number CCT-45



CCT strain insulator 11kV Part number CCT-STRAIN

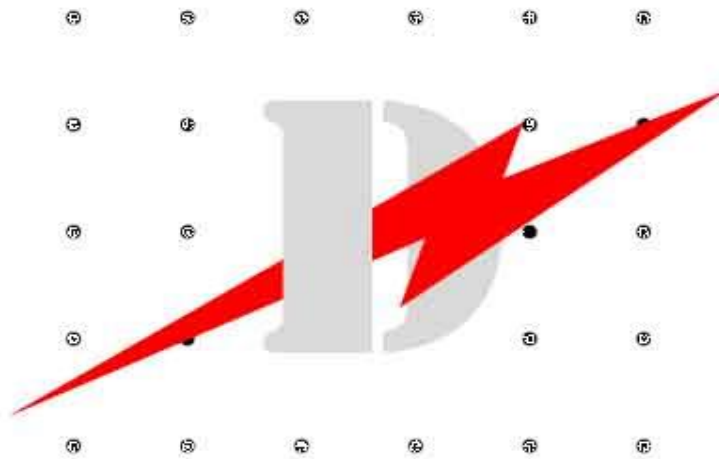
CCT Strain cover
80 - 120 sqmm
Part number CCT-COVER





DULHUNTY POWER

Dulhunty Power (Aust) Pty Ltd
Unit 2/35 Waterloo Road, North Ryde
Sydney NSW 2113, Australia
Telephone: + 61 2 9870 7277
Facsimile: + 61 2 9870 7299
Email: sales@dulhunty.com
Web: www.dulhuntypower.com



Dulhunty Power (China) Ltd
3303#, Zhuan Qiao, Jiangdu
Jiangsu, 225233 P.R.C.
Telephone: + 86 514 6842 462
Facsimile: + 86 514 6842 463
Email: sales@dulhuntychina.com
Web: www.dulhuntypower.com

Dulhunty Power North America
14262 Fred and Al Key Rd.
Kiln, Ms. 39556
United States of America
Telephone +1 (228) 467-8075
Email: brandi@dulhunty.com

Dulhunty Power (N.Z.) Ltd
PO Box 281
Whangaparaoa
Auckland New Zealand
Telephone + 64 9 424 7295
Facsimile: + 64 9 428 0577
Email: brian@dulhunty.com
Web: www.dulhuntypower.com

Dulhunty Power (Malaysia) Sdn. Bhd.
Lot 8040, Jalan 2/D Kg. Baru Subang
40150 Shah Alam
Selangor Darul Ehsan, Malaysia
Telephone + 603 7843 0488
Facsimile: + 603 7843 0433
Email: enquiry@dulhunty.com.my
Web: www.dulhuntypower.com

Dulhunty Power (Thailand) Ltd
3/2 Moo 7, Suwintawong Road
Klongluangphang, AmphurMuang
Chachoengsao 24000, Thailand
Telephone + 66 3884 5675
Facsimile: + 66 3884 5674
Email: pana@dulhunty.com
Web: www.dulhuntypower.com