

AUOTMATIC

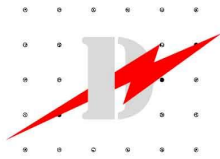
INDEX

DULHUNTY POWER

AUTOMATIC'S

SECTION H

Automatic Deadends for SC/GZ.....	Page H-2
Automatic Splice for ACSR & AAAC.....	Page H-3
Automatic Splice for SC/GZ	Page H-4
Automatic Deadends for Copper... ..	Page H-5
Automatic Splice for Copper	Page H-6
Automatic Strand Vise.....	Page H-7



AUTOMATICS

SECTION H

AUTOMATIC DEADENDS AND STRAND - VISE

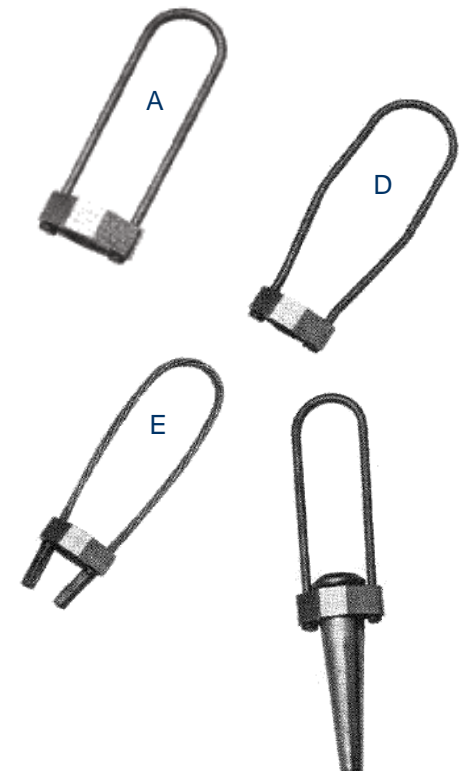
DULHUNTY POWER

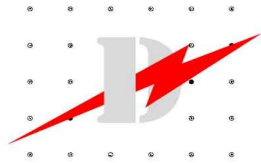
Steel deadend and stay wire deadend

Universal Grade Strand-vise Dead Ends

Catalogue Number	Diameter		No. In Standard pack	Type	Range mm
	mm	inch			
R5199 R5255	4.31 4.80	.1697 .1890	50 25	A E	3.56 ~ 5.79
R5200 R5256	5.93 6.00	.2335 .2362	50 25	A E	5.46 ~ 6.85
R5201			25	A	6.85 ~ 8.00
R5202 R5258	8.25 9.75	.3248 .3839	25 25	A E	8.26 ~ 9.96
R616-SRI	9.525	.375	25		9.525
R5203 R5253.6	10.00 11.25	.3937 .4429	25 25	A D	9.96 ~ 11.56
R5204	12.00	.4724	25	A	11.56 ~ 13.21

Consult Dulhunty Power for any fitting that may lie outside these ranges





AUTOMATICS

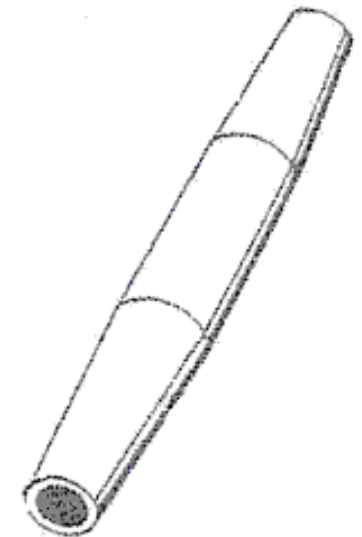
SECTION H

AUTOMATIC SPLICES

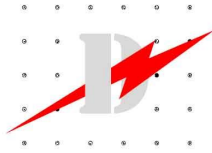
DULHUNTY POWER

Conductor Splice
ACSR & AAAC Conduct-R-link Splice

Catalogue Number	Conductor stranding ACSR	Diameter		No. In Standard pack	Range mm
		mm	inch		
R7652	6/1/2.50	7.50	.2953	50	5.92 ~ 8.64
R7654	6/1/3.75	11.25	.4429	25	10.52 ~ 12.07
R7656AP	6/4.75+7/1.60	14.30	.5630	20	13.26 ~ 14.86
R7658AP	30/7/2.50	17.50	.6890	10	16.76 ~ 18.72
R7659AP	30/7/3.00	21.00	.8268	10	18.80 ~ 21.72



Consult Dulhunty Power for any fitting that may lie outside these ranges



AUTOMATICS

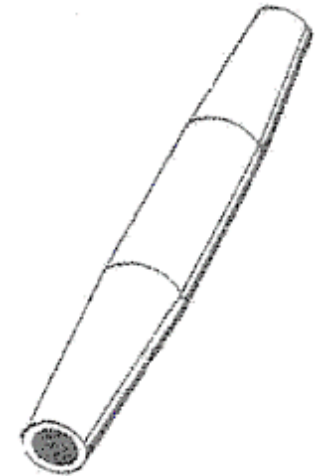
AUTOMATIC SPLICES

SECTION H

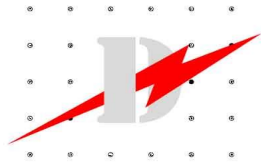
DULHUNTY POWER

Universal Grade Strand-link Splice

Catalogue Number	Conductor stranding SC/GZ [Imp.]	Diameter		No. In Standard pack	Range mm
		mm	inch		
R5039	3/2.00 7/1.60 [7/17]	4.31 4.80	.1697 .1890	50	3.56 ~ 5.79
R5040	3/2.75 [3/12] 7/2.00	5.93 6.00	.2335 .2362	50	5.46 ~ 6.85
R5042	7/2.75 [7/12] 7/3.25 [7/10]	8.25 9.75	.3248 .3839	25	8.25 ~ 9.96
R5043	19/2.00 [19/14] 7/3.75	10.00 11.25	.3937 .4429	25	9.96 ~ 11.56
R5044	7/4.00 [7/8]	12.00	.4724	25	11.56 ~ 13.21



Consult Dulhunty Power for any fitting that may lie outside these ranges



AUTOMATICS

SECTION H

AUTOMATIC DEADENDS

DULHUNTY POWER

Copper conductor deadend

Conduct-R-vise Dead Ends

Catalogue Number	Conductor stranding HDCC	Diameter		No. In Standard pack	Range mm
		mm	inch		
R41FDS	7/1.75	5.35	.2067	50	4.67 ~ 5.33
R41SDS	7/.064	4.88	.1920	50	
R47SDS	7/2.00	6.00	.2362	25	5.72 ~ 6.73
	7/.080	6.10	.2400	25	
R101SDS	7/2.75	8.25	.3248	25	7.75 ~ 8.64
	7/.104	7.93	.3120		
	19/1.75	7.75	.3445		
	19/.064	8.13	.3200		
R107SDS	7/3.00	9.00	.3543	25	8.64 ~ 9.78
	7/.118	8.99	.3540		
R207SDS	19/2.00	10.00	.3937	10	10.00 ~ 10.67
	19/.083	10.54	.4150		

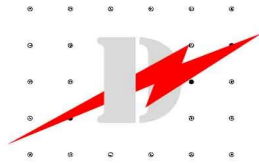
Consult Dulhanty Power for any fitting that may lie outside these ranges

SDS



FDS





AUTOMATICS

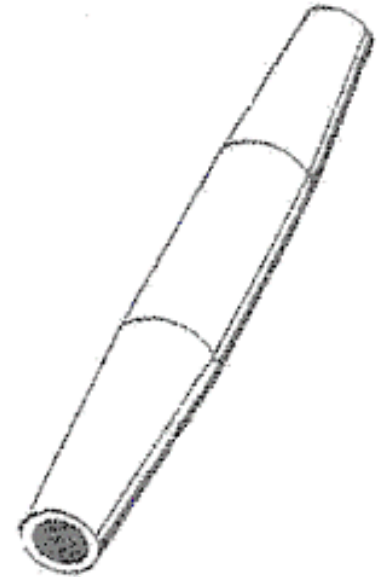
SECTION H

AUTOMATIC SPLICES

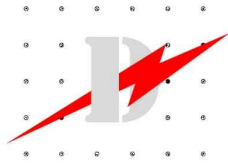
DULHUNTY POWER

Copper conductor splice
Conduct-R-link Splice

Catalogue Number	Conductor stranding HDCC	Diameter		No. In Standard pack	Range mm
		mm	inch		
R61	7/.048	3.66	.1440	100	3.71 ~ 4.27
R41	7/1.75	5.35	.2067	50	4.67 ~ 5.33
	7/.064	4.88	.1920		
R47	7/2.00	6.00	.2362	50	5.72 ~ 6.73
	7/.080	6.10	.2400		
R27	7/.093	7.09	.2790	50	6.86 ~ 7.75
R101	7/2.75	8.25	.3248	25	7.75 ~ 8.64
	7/.104	7.93	.3120		
	19/1.75	7.75	.3445		
	19/.064	8.13	.3200		
R107	7/3.00	9.00	.3543	25	8.64 ~ 9.78
	7/.118	8.99	.3540		
R207	19/2.00	10.00	.3937	10	10.00 ~ 10.67
	19/.083	10.54	.4150		
R407	19/2.75	13.75	.5413	25	12.32 ~ 13.72
	19/.104	13.21	.5200		



Consult Dulhanty Power for any fitting that may lie outside these ranges



AUTOMATICS

SECTION H

AUTOMATIC SPLICE AND STRAND – VISE

DULHUNTY POWER

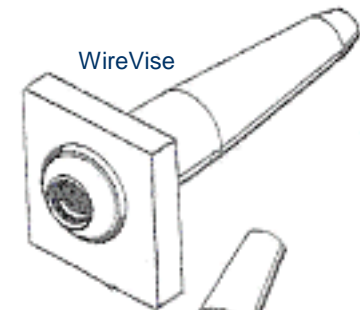
Single wire fittings

Wirevice presentation

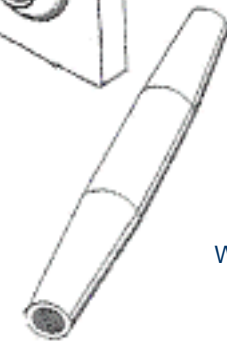
Wire-vise Dead Ends
Wire-Link Splices

Catalogue Number	Diameter		No. In Standard pack	Style
	Min mm	MAX mm		
R5057 R5056V	1.6	2.5	100 100	Link Vise
R5059 R5058V	2.5	2.9	100 500	Link Vise
R5063 R5062V	2.8	3.4	100 300	Link Vise
R5065 R5064V	3.5	5.5	200 100	Link Vise
RT-RBK			10	Ratchet tensioner

Consult Dulhanty Power for any fitting that may lie outside these ranges



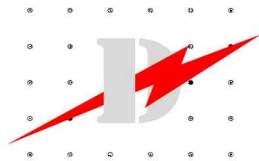
WireVise



Wire Link

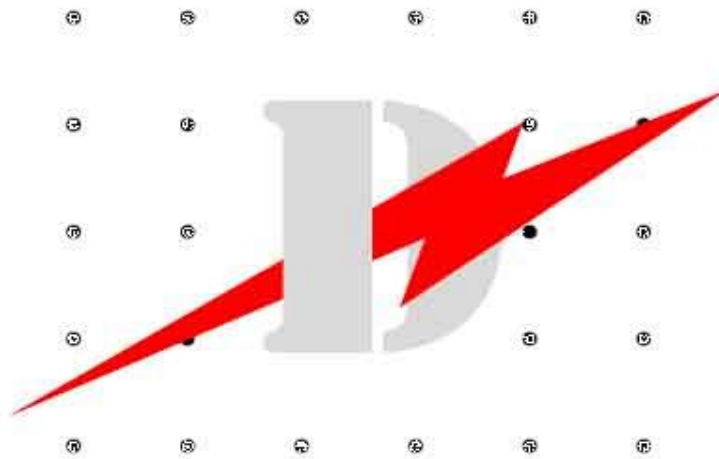


RT-RBK



DULHUNTY POWER

Dulhunty Power (Aust) Pty Ltd
Unit 2/35 Waterloo Road, North Ryde
Sydney NSW 2113, Australia
Telephone: + 61 2 9870 7277
Facsimile: + 61 2 9870 7299
Email: sales@dulhunty.com
Web: www.dulhuntypower.com



Dulhunty Power (China) Ltd
3303#, Zhuan Qiao, Jiangdu
Jiangsu, 225233 P.R.C.
Telephone: + 86 514 6842 462
Facsimile: + 86 514 6842 463
Email: sales@dulhuntychina.com
Web: www.dulhuntypower.com

Dulhunty Power North America
14262 Fred and Al Key Rd.
Kiln, Ms. 39556
United States of America
Telephone +1 (228) 467-8075
Email: brandi@dulhunty.com

Dulhunty Power (N.Z.) Ltd
PO Box 281
Whangaparaoa
Auckland New Zealand
Telephone + 64 9 424 7295
Facsimile: + 64 9 428 0577
Email: brian@dulhunty.com
Web: www.dulhuntypower.com

Dulhunty Power (Malaysia) Sdn. Bhd.
Lot 8040, Jalan 2/D Kg. Baru Subang
40150 Shah Alam
Selangor Darul Ehsan, Malaysia
Telephone + 603 7843 0488
Facsimile: + 603 7843 0433
Email: enquiry@dulhunty.com.my
Web: www.dulhuntypower.com

Dulhunty Power (Thailand) Ltd
3/2 Moo 7, Suwintawong Road
Klongluangphang, AmphurMuang
Chachoengsao 24000, Thailand
Telephone + 66 3884 5675
Facsimile: + 66 3884 5674
Email: pana@dulhunty.com
Web: www.dulhuntypower.com