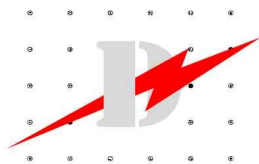


INSULATORS

INDEX

DULHUNTY POWER

AS INSULATOR.....	Page I-2 to I-19
IEC INSULATOR.....	Page I-20 to I-27
ANSI INSULATOR.....	Page I-28
COMPOSITE INSULATOR.....	Page J-1 to J-9



INSULATOR INDEX

DULHUNTY POWER

AUSTRALIAN STANDARD

SECTION I

PORCELAIN INSULATOR:

Ball & Socket Disc Insulator: Standard Profile.....	Page I-3
Tongue & Clevis Disc Insulator: Standard Profile.....	Page I-4
Ball & Socket Disc Insulator: Fog Profile.....	Page I-5
Ball & Socket Disc Insulator: Desert Fog Profile.....	Page I-6
Tie Top Line Post Insulator	Page I-7
Clamp Top Horizontal Line Post Insulator.....	Page I-8
Clamp Top Vertical Line Post Insulator.....	Page I-9
Pin Type Standard Profile Insulator.....	Page I-10
Pin Type Aerodynamic Profile Insulator	Page I-11
Pin Type Fog Profile Insulator.....	Page I-12
Spool and Shackle Type Insulator.....	Page I-13
Strain Type Insulator.....	Page I-14

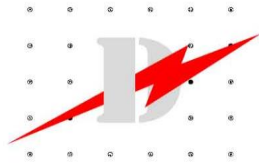
GLASS INSULATOR:

Ball & Socket Disc Insulator: Standard profile.....	Page I-15
Ball & Socket Disc Insulator: Fog profile.....	Page I-16
Tongue & Clevis Insulator: Standard Profile	Page I-17

POST INSULATOR:

Station Post	Page I-18
--------------------	-----------

CCT Insulator.....	Page I-19
--------------------	-----------



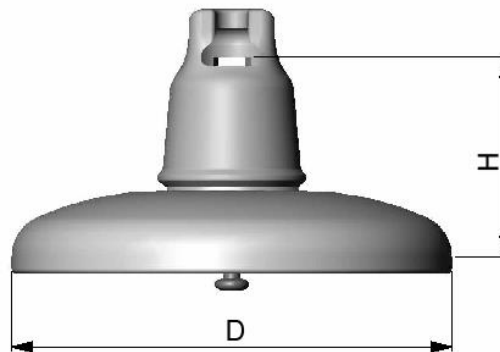
INSULATOR

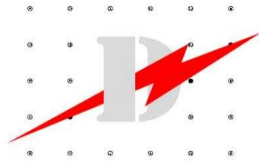
SECTION I

AS PORCELAIN INSULATOR Ball & Socket STANDARD PROFILE TYPE

DULHUNTY POWER

Catalogue Number	Diameter D mm	Spacing H mm	Creepage distance mm	Coupling Size	Min. Mechanical Failing Load kN	Min. Routine Test Load kN	Min. Lightning Impulse Withstand Volt. kV	Power Frequency Withstand Volt. kV		Approx. Net Weight kg
								Min. Wet One Minute	Min. Puncture Volt.	
UP70BLZ	255	146	292	16	70	28	110	40	110	4.6
UP80BL	255	146	292	16	80	32	110	40	110	4.6
UP120BS	255	146	292	16	120	48	110	40	110	6.0
UP160BL	280	146	305	20	160	64	110	45	115	7.5





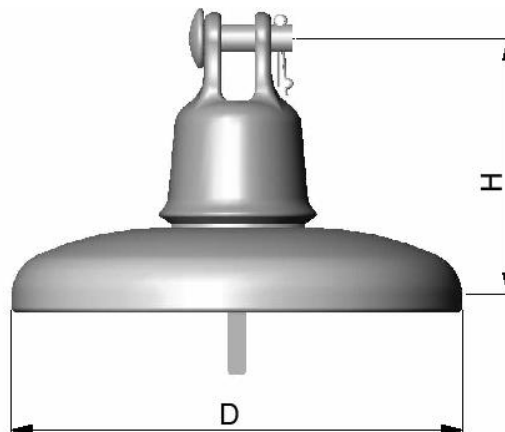
INSULATOR

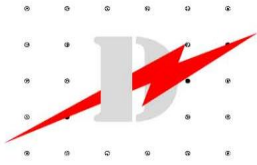
SECTION I

AS PORCELAIN INSULATOR Tongue & clevis STANDARD PROFILE TYPE

DULHUNTY POWER

Catalogue Number	Diameter D mm	Spacing H mm	Creepage distance mm	Coupling Size	Min. Mechanical Failing Load kN	Min. Routine Test Load N. cm	Min. Lightning Impulse Withstand Volt. kV	Power Frequency Withstand Volt. kV		Approx. Net Weight kg
								Min. Wet One Minute	Min. Puncture Volt.	
UP70TC	255	146	292	16	70	28	110	40	110	4.6
UP70CP-HEX	255	146	360	16 HEX	70	28	110	40	110	6





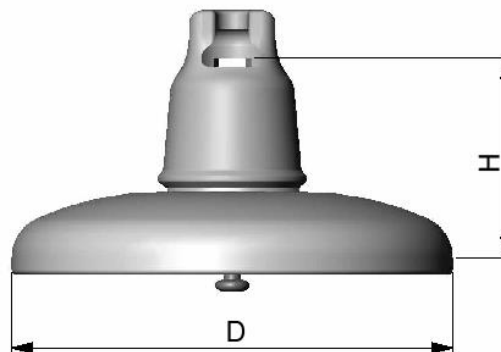
INSULATOR

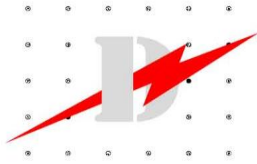
SECTION I

AS PORCELAIN INSULATOR Ball & Socket FOG PROFILE TYPE

DULHUNTY POWER

Catalogue Number	Diameter D mm	Spacing H mm	Creepage distance mm	Coupling Size	Min. Mechanical Failing Load kN	Min. Routine Test Load kN	Min. Lightning Impulse Withstand Volt. kV	Power Frequency Withstand Volt. kV		Approx. Net Weight kg
								Min. Wet One Minute	Min. Puncture Volt.	
UP70BLP	255	146	432	16	70	28	120	42	120	7.0
UP80BLP	255	146	432	16	80	32	120	42	120	7.0
UP120BLP	255	146	432	16	120	48	120	42	120	8.0
UP160BSP	300	160	450	20	160	64	135	42	120	10.2





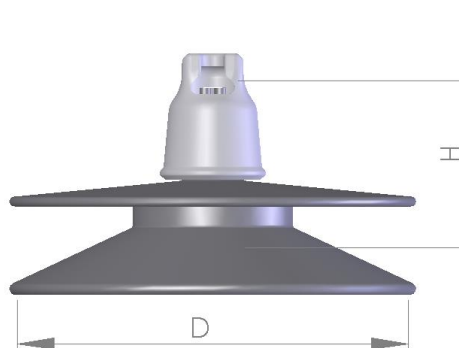
INSULATOR

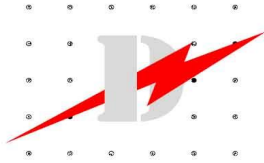
SECTION I

AS PORCELAIN INSULATOR Ball & Socket DESERT FOG TYPE

DULHUNTY POWER

Type (IEC Class)		XWP-70	XWP-100	XWP-160
Creepage distance, mm		400	400	450
Disc diameter, D mm		254	254	300
Unit spacing, H mm		146	146	155
Power Frequency flashover voltage	Dry, kV	90	90	90
	Wet, kV	45	45	50
Power Frequency withstand voltage	Dry., kV	80	80	80
	Wet., kV	40	40	45
Standard coupling to IEC 120		16B	16B	20
M & E Combined strength, kN		70	100	160
Net weight, kg		5.5	6.5	7.5
Quantity per case		5	5	5





INSULATOR

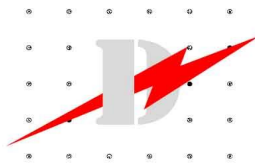
SECTION I

AS PORCELAIN INSULATOR TIE TOP LINE POST TYPE

DULHUNTY POWER

Type (AS Class)	R11ET150N-310	R11ET145N	R11ET325N	R11ET325L	R18ET150N
Height & Diameter, stud, mm	310 x 165 x M24	487 x 146 x M24	536 x 200 x M24	790 x 184 x M24	285 x 166 x M20
Creepage distance, mm	565	610	1250	1800	425
Protected Creepage distance, mm	220	100	530	530	
Power Frequency wet with, kV	50	50	140	140	38
Impulse withstand, kV	150	145	325	325	150
Cantilever strength, kN	11	11	11	11	18
Net weight, kg	7.5	13.3	24.8	25	11





INSULATOR

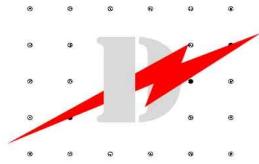
SECTION I

AS PORCELAIN INSULATOR CLAMP TOP HORIZONTAL LINE POST TYPE

DULHUNTY POWER

Type (AS Class)	R11EH150N-1	R11EH150N	R11EH325N	R11EH350N
Height & Diameter, stud, mm		540 x 146 x M24	805 x 170 x M24	845 x 184 x M24
Creepage distance, mm	565	610	1250	1800
Protected Creepage distance, mm	220	100	530	530
Power Frequency wet withstand, kV	50	50	140	140
Impulse withstand, kV	150	150	325	350
Cantilever strength, kN	11	11	11	11
Net weight, kg	8.7	14.5	26	-





INSULATOR

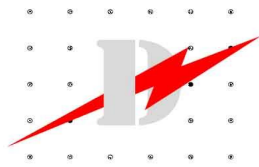
SECTION I

AS PORCELAIN INSULATOR CLAMP TOP VERTICAL LINE POST TYPE

DULHUNTY POWER

Type (AS Class)	R11EC150N-1	R11EC150N	R11EC325N	R11EC350N
Height & Diameter, stud, mm			775 x 170 x M24	
Creepage distance, mm	565	610	1250	1800
Protected Creepage distance, mm	220	100	530	530
Power Frequency wet withstand, kV	50	50	140	170
Impulse withstand, kV	150	150	325	350
Cantilever strength, kN	11	11	11	11
Net weight, kg	8.7	15.5	26	–





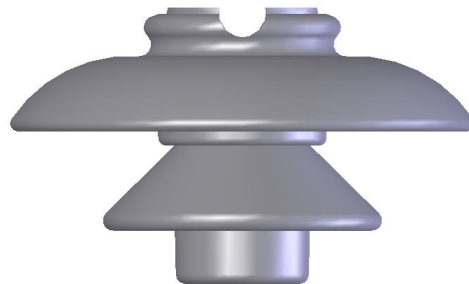
INSULATOR

SECTION I

AS PORCELAIN INSULATOR STANDARD PROFILE PIN TYPE

DULHUNTY POWER

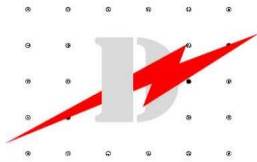
Type (AS Class)	SLP/11/180	SLP/22/420	SLP/33/534	LP.LV
Height & Diameter, Neck mm	110 X 150 X 76	168 X 229 X 113	190 X 257 X 113	91 X 82
Creepage distance, mm	180	420	534	–
Power Frequency wet withstand, kV	32	60	65	–
Impulse withstand, kV	95	150	170	–
Cantilever strength, kN	7	11	11	7
Net weight, kg	1.8	5.3	6.3	0.8
Insulator pin	A/130/7	C/150/11	C/200/11	B/100/3.5
Quantity per case	16	6	4	30



SLP Type



LP.LV Type



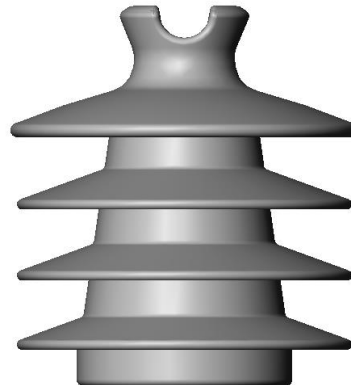
INSULATOR

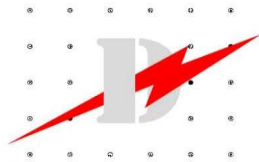
SECTION I

AS PORCELAIN INSULATOR AERODYNAMIC PROFILE, C PIN TYPE

DULHUNTY POWER

Type (AS Class)	ALP/11/275	ALP/22/450	ALP/22/490	ALP22/520	ALP33/710	ALP/33/920
Height and Diameter, Neck, mm (Radio Free)	160 X 150 X 76	200 X 160 X 76RF	250 X 165 X 76	210 X 200 X 76	265 X 220 X 76	320 X 240 X 76RF
Creepage distance, mm	275	450	490	520	710	920
P.F. wet withstand, kV	32	50	50	50	70	90
Impulse withstand, kV	95	150	160	150	200	220
Cantilever strength, kN	7	11	11	11	11	11
Net weight, kg	1.8	3.5	4.2	5	8	14.3
Insulator pin	C/150/7	C/200/11	C/200/11	C/200/11	C/300/7	C/300/7
Quantity per case	12	6	6	2	2	2





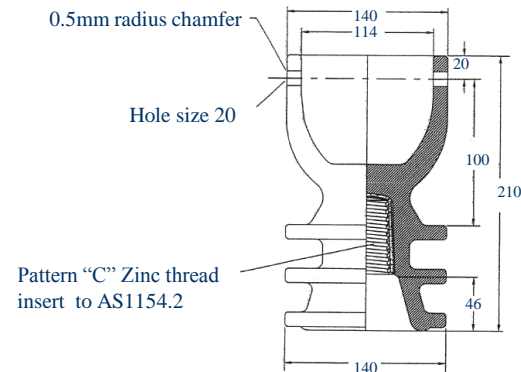
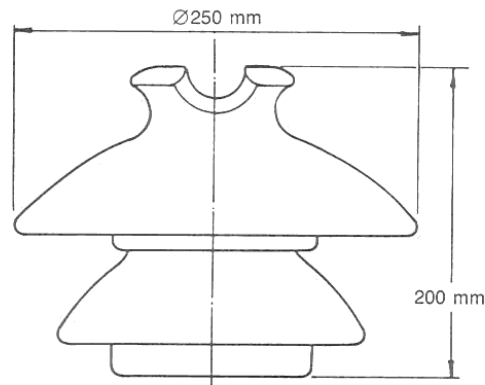
INSULATOR

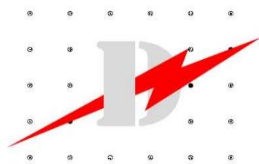
AS PORCELAIN INSULATOR FOG PIN TYPE

SECTION I

DULHUNTY POWER

Type (AS Class)	FLP/11/360	FLP/22/480	11-22 Bridging
Height & Diameter, Neck mm	160 X 152 X 76 A	200 X 250 X 76 C	210 X 140 X ϕ 20
Creepage distance, mm	360	480	355
Power Frequency wet withstand, kV	28	50	50
Impulse withstand, kV	95	145	125
Cantilever strength, kN	7	11	5
Net weight, kg	2	6.7	
Insulator pin	A/130/7	C/150/11	C/200/11
Quantity per case		4	





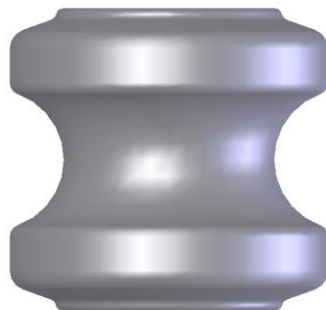
INSULATOR

SECTION I

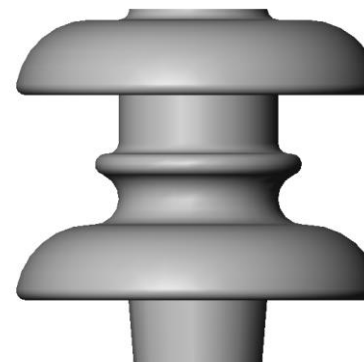
AS PORCELAIN INSULATOR SPOOL AND SHACKLE TYPE

DULHUNTY POWER

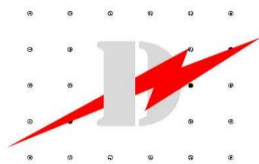
Type (AS Class)	SH. LV. 1	SH.LV. 2	SH11
Height & Diameter, mm	54 x 57	76 x 80	
Creepage distance, mm	–	–	180
Power Frequency wet withstand, kV	–	–	30
Impulse withstand, kV	–	–	95
Transverse strength, kN	9	20	22
Net weight, kg	0.2	0.6	–
Quantity per case	120	24	–



SH.LV Type



SH 11



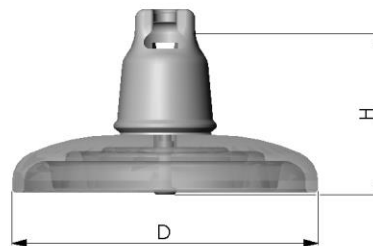
INSULATOR

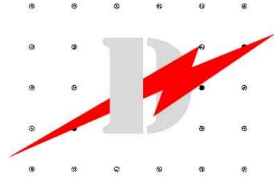
SECTION I

AS GLASS INSULATOR Ball & Socket STANDARD PROFILE TYPE

DULHUNTY POWER

Catalogue Number	Diameter D mm	Spacing H mm	Creepage distance mm	Coupling Size	Min. Mechanical Failing Load kN	Min. Impact Failing Load N. cm	Min. Lightning Impulse Withstand Volt. kV	Power Frequency Withstand Volt. kV		Approx. Net Weight kg
								Min. Wet One Minute	Min. Puncture Volt.	
UG45BL	175	110	190	11	45	450	75	33	110	1.8
UG70BLZ	255	146	320	16	70	565	100	40	110	3.77
UG80BLZ	255	146	320	16	80	565	100	40	110	3.85
UG125BLZ	255	146	320	20	125	355	95	40	120	5.0
UG160BS	280	146	380	20	160	1017	105	42	110	6.1





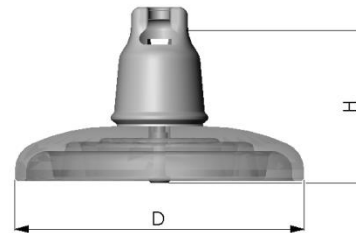
INSULATOR

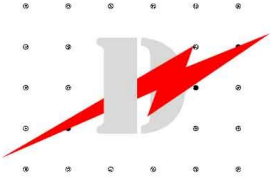
SECTION I

AS GLASS INSULATOR Ball & Socket FOG PROFILE TYPE

DULHUNTY POWER

Catalogue Number	Diameter D mm	Spacing H mm	Creepage distance mm	Coupling Size	Min. Mechanical Failing Load kN	Min. Impact Failing Load N. cm	Min. Lightning Impulse Withstand Volt. kV	Power Frequency Withstand Volt. kV		Approx. Net Weight kg
								Min. Wet One Minute	Min. Puncture Volt.	
UG70BLPZ	255	146	400	16	70	565	120	45	120	4.5
UG120BLPZ	280	146	450	16	120	678	120	45	120	5.5
UG160BLPZ	280	170	450	20	160	1017	130	50	120	7.0
UG210BLPZ	320	170	540	20	210	1017	130	50	120	9.2





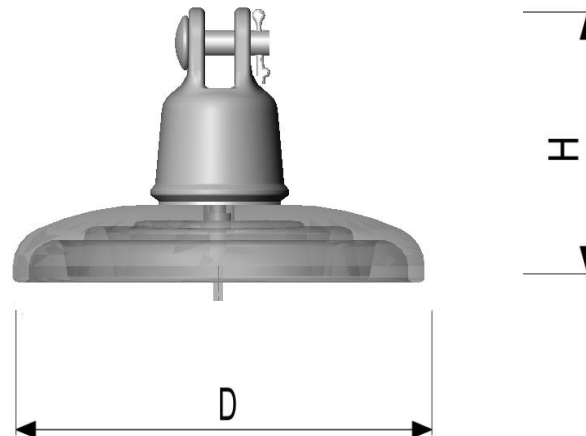
INSULATOR

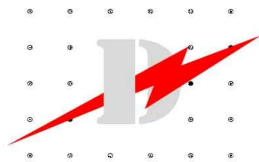
SECTION I

AS GLASS INSULATOR Tongue & Clevis STANDARD PROFILE TYPE

DULHUNTY POWER

Catalogue Number	Diameter D mm	Spacing H mm	Creepage distance mm	Coupling Size	Min. Mechanical Failing Load kN	Min. Impact Failing Load N. cm	Min. Lightning Impulse Withstand Volt. kV	Power Frequency Withstand Volt. kV		Approx. Net Weight kg
								Min. Wet One Minute	Min. Puncture Volt.	
UG70TC	255	146	320	16C	70	565	100	40	110	4.0





INSULATOR

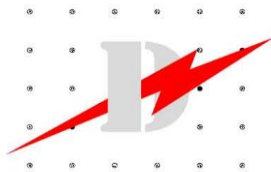
SECTION I

STATION POST INSULATOR

DULHUNTY POWER

Type (IEC Class)		C8-95-II-254	C6-200-II-380
Height & Diameter, mm		254 x 168	380 x 168
PCD, mm		76	76
Creepage distance, mm		360	760
Withstand voltage	P.F. wet, kV	38	70
	Impulse, kV	95	200
Cantilever strength, kN		8	6
Torsion strength, N-m		1200	1000
Net weight, kg		10	14



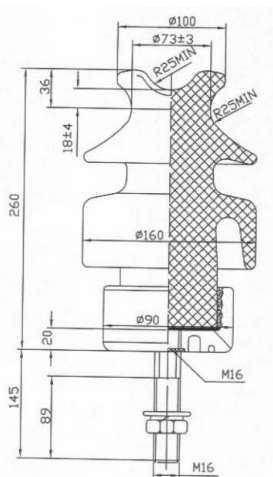


INSULATOR

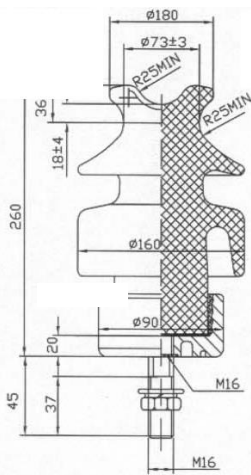
CCT INSULATOR

SECTION I

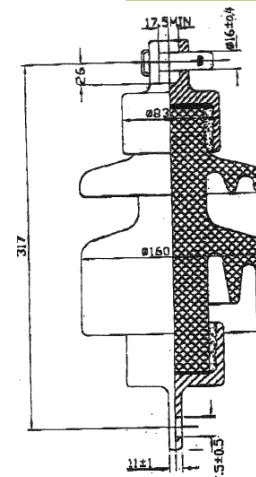
DULHUNTY POWER



CCT post insulator 11kV long Part number CCT-145



CCT post insulator 11kV short Part number CCT-45

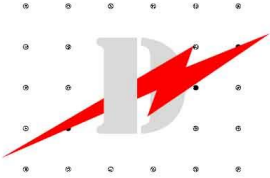


CCT strain insulator 11kV Part number CCT-STRAIN



CCT Strain cover
80 - 120 sqmm
Part number CCT-C





INSULATOR

INDEX

DULHUNTY POWER

IEC INSULATOR

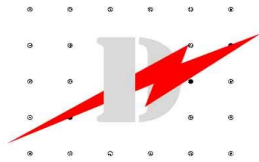
SECTION I

PORCELAIN INSULATOR:

Solid-Core Station Post Insulator 6kN	Page I-21
Solid-Core Station Post Insulator 4kN	Page I-22
Solid-Core Station Post Insulator Multi	Page I-23
Ball & Socket Disc Insulator	Page I-24
Tongue & Clevis Disc Insulator	Page I-25

GLASS INSULATOR:

Tongue & Clevis Disc Insulator	Page I-26
Ball & Socket Disc Insulator	Page I-27



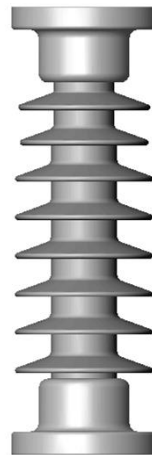
INSULATOR

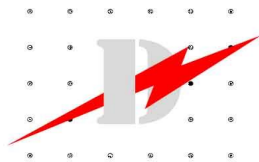
IEC 273 STATION POST INSULATOR

SECTION I

DULHUNTY POWER

Type (IEC Class)	C6-95-II	C6-125-II	C6-150-II	C6-170-II	C6-200-II	C6-250-II	C6-325-II	
Height & Diameter, mm	255 x 160	305 x 160	355 x 168	445 x 168	475 x 168	560 x 190	770 x 190	
PCD, mm	76	76	76	76	76	127	127	
Creepage distance, mm	380	500	660	850	950	1200	1600	
Withstand voltage	P.F. wet, Kv	38	50	50	70	70	95	140
	Impulse, Kv	95	125	150	170	200	250	325
Cantilever strength, kN	6	6	6	6	6	6	6	
Torsion strength, N-m	800	800	1200	1500	1800	2000	2500	
Net weight, kg	8	9	11	12	14	18	32	





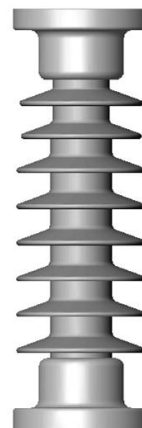
INSULATOR

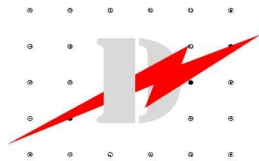
SECTION I

IEC 273 STATION POST INSULATOR

DULHUNTY POWER

Type (IEC Class)	C4-95-II	C4-125-II	C4-150-II	C4-170-II	C4-200-II	C4-250-II	C4-325-II	
Height & Diameter, mm	255 x 160	305 x 160	355 x 168	445 x 168	475 x 168	560 x 190	770 x 190	
PCD, mm	76	76	76	76	76	127	127	
Creepage distance, mm	380	500	660	850	950	1200	1600	
Withstand voltage	P.F. wet, Kv	38	50	50	70	70	95	140
	Impulse, kV	95	125	150	170	200	250	325
Cantilever strength, kN	4	4	4	4	4	4	4	
Torsion strength, N-m	800	800	1000	1200	1200	1800	2000	
Net weight, kg	8	9	11	12	14	18	32	





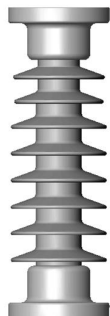
INSULATOR

SECTION I

IEC 273 STATION POST INSULATOR

DULHUNTY POWER

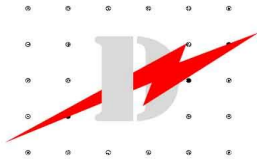
Type (IEC Class)	C4-550-II	C6-550-II	C8-550-II	C10-550-II	C4-1050-II	C6-1050-II	C8-1050-II
Height & Diameter, mm	1200 x 230	1200 x 230	1200 x 230	1200 x 230	2300 x 250	2300 x 250	2300 x 250
PCD, mm	127	127	127	127	127	127	127
Creepage distance, mm	2900	2900	2900	2900	5650	5650	5650
Withstand voltage	P.F. wet, kV	230	230	230	460	460	460
	Impulse, kV	550	550	550	1050	1050	1050
Cantilever strength, kN	4	6	8	10	4	6	8
Torsion strength, N-m	3000	4000	4000	4000	3000	3000	4000
Net weight, kg	48	56	62	70	125	130	165



C-550-II Type



C-1050-II Type



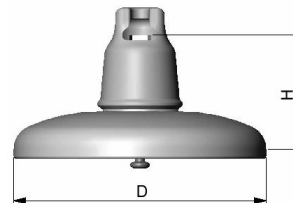
INSULATOR

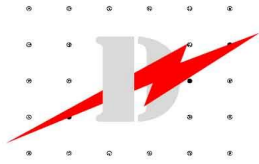
SECTION I

IEC PORCELAIN INSULATOR Ball & Socket STANDARD PROFILE TYPE

DULHUNTY POWER

Catalogue Number (IEC type)	Diameter D mm	Spacing H mm	Creepage distance mm	Coupling Size (IEC 120)	Min. Mechanical Failing Load kN	Min. Routine Test Load kN	Min. Lightning Impulse Withstand Volt. kV	Power Frequency Withstand Volt. kV		Approx. Net Weight kg
								Min. Wet One Minute	Min. Puncture Volt.	
U70BL	255	146	292	16	70	28	100	40	110	4.6
U80BL	255	146	292	16	80	32	100	40	110	4.6
U100BL	255	146	292	16	100	40	100	40	110	5.5
U120BS	255	146	292	16	120	48	110	40	110	6.0
U210BS	280	170	335	20	210	84	105	45	120	9.0
U300B	320	195	375	24	300	120	110	47	130	13.5
U160BS	280	146	305	20	160	64	105	45	115	7.5
U70BP	255	146	432	16	70	28	120	45	115	6.5
U80BP	255	146	432	16	80	32	115	45	115	6.5
U100BP	255	146	432	16	100	40	115	45	115	7.5
U120BP	255	146	432	16	120	48	115	45	115	7.8





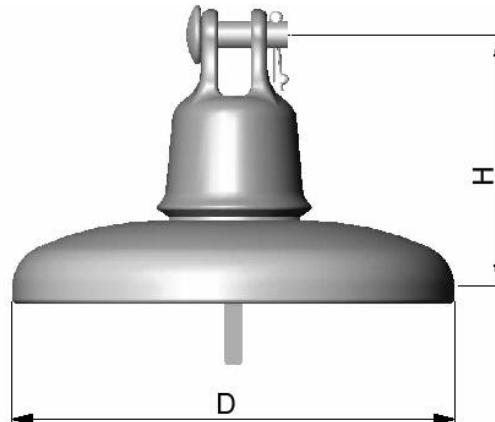
INSULATOR

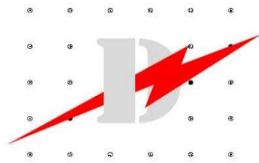
SECTION I

IEC PORCELAIN INSULATOR Tongue & Clevis STANDARD PROFILE TYPE

DULHUNTY POWER

Catalogue Number (IEC type)	Diameter D mm	Spacing H mm	Creepage distance mm	Coupling Size (IEC 120)	Min. Mechanical Failing Load kN	Min. Routine Test Load kN	Min. Lightning Impulse Withstand Volt. kV	Power Frequency Withstand Volt. kV		Approx. Net Weight kg
								Min. Wet One Minute	Min. Puncture Volt.	
U70C	255	146	292	16C	70	28	110	40	110	4.6
U80C	255	146	292	16C	80	32	110	40	110	4.6
U70BP	255	146	432	16C	70	28	115	45	120	6.8
U80BP	255	146	432	16C	80	32	115	45	120	6.8





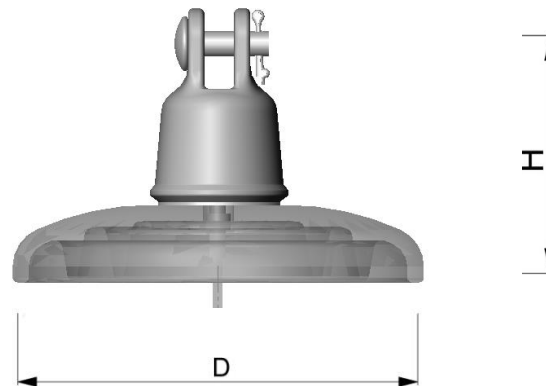
INSULATOR

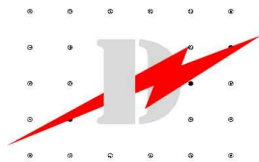
SECTION I

IEC GLASS INSULATOR Tongue & Clevis STANDARD PROFILE TYPE

DULHUNTY POWER

Catalogue Number	Diameter D mm	Spacing H mm	Creepage distance mm	Coupling Size	Min. Mechanical Failing Load kN	Min. Impact Failing Load N. cm	Min. Lightning Impulse Withstand Volt. kV	Power Frequency Withstand Volt. kV		Approx. Net Weight kg
								Min. Wet One Minute	Min. Puncture Volt.	
DG-U70C	255	146	320	16C	70	565	100	40	110	4.0





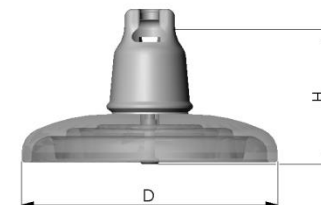
INSULATOR

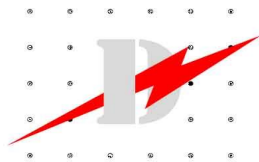
SECTION I

IEC GLASS INSULATOR Ball & Socket STANDARD PROFILE TYPE

DULHUNTY POWER

Catalogue Number	Diameter D mm	Spacing H mm	Creepage distance mm	Coupling Size	Min. Mechanical Failing Load kN	Min. Impact Failing Load N. cm	Min. Lightning Impulse Withstand Volt. kV	Power Frequency Withstand Volt. kV		Approx. Net Weight kg
								Min. Wet One Minute	Min. Puncture Volt.	
DG-U70BS	255	127	320	16	70	565	100	40	110	3.7
DG-U70B	255	140	320	16	70	565	100	40	110	3.7
DG-U70BL	255	146	320	16	70	565	100	40	110	3.7
DG-U80BL	255	146	320	16	80	565	100	40	110	3.8
DG-U100BL	255	146	320	16	100	678	100	40	110	4.1
DG-U120BL	255	146	320	16	120	678	100	40	110	4.2
DG-U210BS	280	170	390	20	210	1017	105	42	120	6.7
DG-U300B	320	195	485	24	300	1017	110	45	120	10.7
DG-U160BS	280	146	380	20	160	1017	105	42	110	6.1
DG-U160BL	280	170	380	20	160	1017	105	42	110	6.2
DG-U70BP1	255	146	400	16	70	565	120	45	120	4.5
DG-U100BP	280	146	450	16	100	678	120	45	120	5.4
DG-U120BP	280	146	450	16	120	678	120	45	120	5.5
DG-U160BP	280	170	450	20	160	1017	130	50	120	7.0
DG-U210BP	320	170	540	20	210	1017	130	50	120	9.2





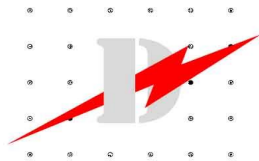
DULHUNTY POWER

ANSI INSULATOR

Please refer to the ANSI Insulator Catalogue

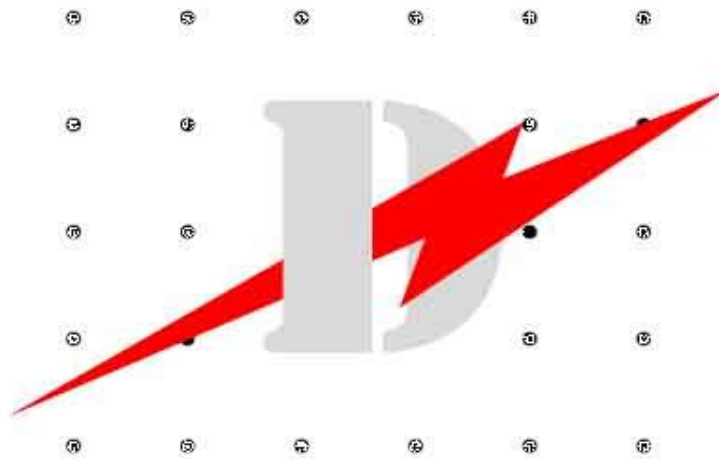
For further information please call Dulhunty Power Ltd

Tel: +61 2 9870 7277



DULHUNTY POWER

Dulhunty Power (Aust) Pty Ltd
Unit 2/35 Waterloo Road, North Ryde
Sydney NSW 2113, Australia
Telephone: + 61 2 9870 7277
Facsimile: + 61 2 9870 7299
Email: sales@dulhunty.com
Web: www.dulhuntypower.com



Dulhunty Power (China) Ltd
3303#, Zhuan Qiao, Jiangdu
Jiangsu, 225233 P.R.C.
Telephone: + 86 514 6842 462
Facsimile: + 86 514 6842 463
Email: sales@dulhuntychina.com
Web: www.dulhuntypower.com

Dulhunty Power North America
14262 Fred and Al Key Rd.
Kiln, Ms. 39556
United States of America
Telephone +1 (228) 467-8075
Email: brandi@dulhunty.com

Dulhunty Power (N.Z.) Ltd
PO Box 281
Whangaparaoa
Auckland New Zealand
Telephone + 64 9 424 7295
Facsimile: + 64 9 428 0577
Email: brian@dulhunty.com
Web: www.dulhuntypower.com

Dulhunty Power (Malaysia) Sdn. Bhd.
Lot 8040, Jalan 2/D Kg. Baru Subang
40150 Shah Alam
Selangor Darul Ehsan, Malaysia
Telephone + 603 7843 0488
Facsimile: + 603 7843 0433
Email: enquiry@dulhunty.com.my
Web: www.dulhuntypower.com

Dulhunty Power (Thailand) Ltd
3/2 Moo 7, Suwintawong Road
Klongluangphang, AmphurMuang
Chachoengsao 24000, Thailand
Telephone + 66 3884 5675
Facsimile: + 66 3884 5674
Email: pana@dulhunty.com
Web: www.dulhuntypower.com